



COMPOSITE ISO



Composite ISO Shelter

Gichner's 20' Composite ISO shelter is a lightweight, high-strength, insulated enclosure constructed of non-corrosive composite materials. The Composite ISO Shelter has been designed and developed as a low-maintenance alternative to standard Aluminum ISO shelters.

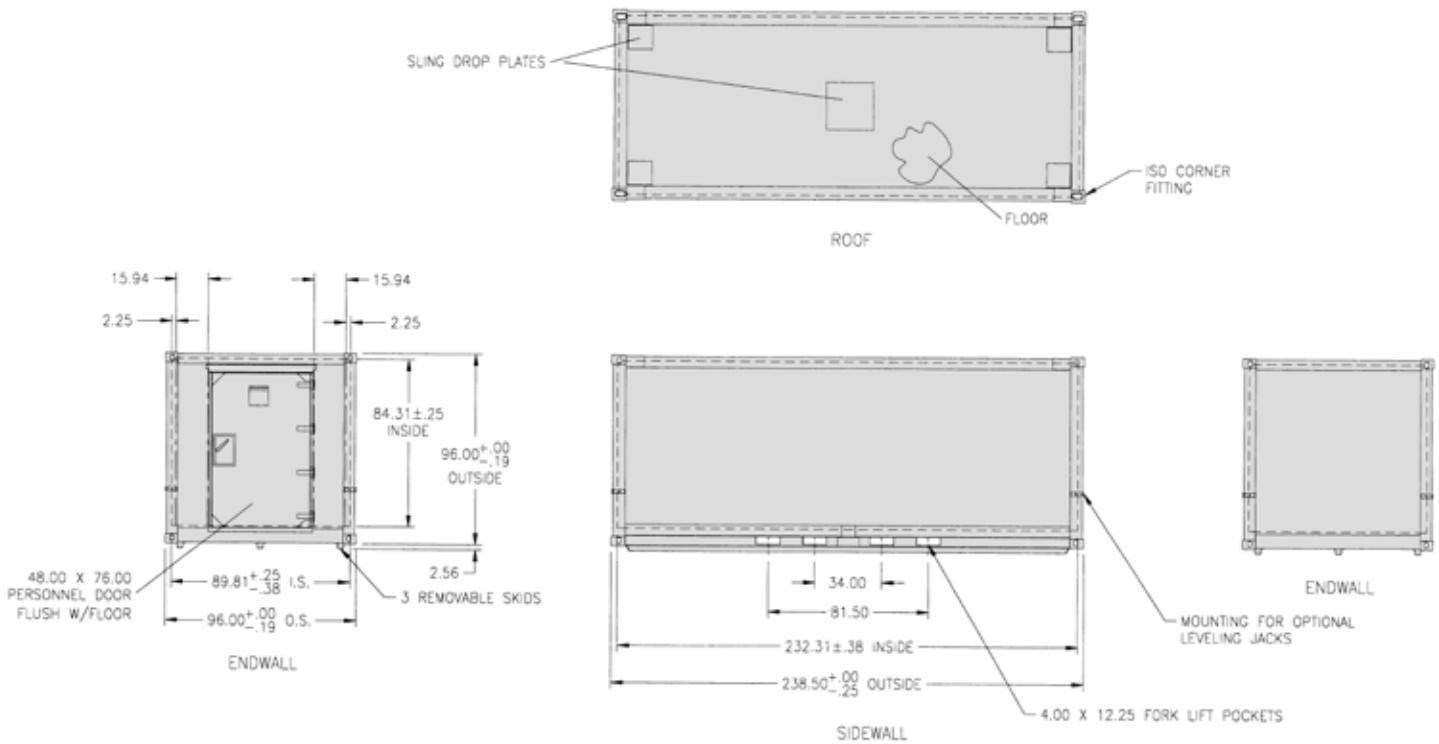
Constructed of lightweight TYCOR® composite panels and steel end-bands and base-frame, this shelter provides superior corrosion resistance and durability. Composite materials allows Gichner's Composite ISO Shelter to withstand a variety of environmental conditions while providing all the transportation advantages of the standard ISO configuration. Optional Polyurea coatings are available on interior and exterior surfaces for added corrosion resistance and increased durability.

The ISO dimensions and locking corner fittings allow it to be transported by military truck, helicopter, cargo aircraft such as the C-130, and by rail and ship. This all-weather shelter satisfies general-purpose applications for housing communications and other transportable electronic equipment. Multiple configurations for personnel doors, cargo doors, and side openings allow for versatility of use as well as complexing capabilities (end to end, or side to side).



A TRADITION OF QUALITY

COMPOSITE ISO



Model No.	Description	Exterior Dimensions (in)			Interior Dimensions (in)			Shelter Weight	Payload (Lbs.)
		H	W	L	H	W	L		
<i>Composite GMS-469</i>	Basic Composite ISO	96	96	238-1/2	84-5/16	89-13/16	232-5/16	4,700	15,200

Performance Specifications:

Specification MIL-M-81957

ISO / ANSI Specifications:

ISO 1496/1 and ANSI MH5.1, 5.1.1 and 5.4

Exterior Dimensions:

96 in. high, 96 in. wide, 238-1/2 in. long

Interior Dimensions:

84-5/16 in. high, 89-13/16 in. wide, 232-1/2 in. long

Shelter Tare Weight:

4,700 lbs.

Maximum Payload:

15,200 lbs.

Roof Load:

Live load of 660 Lbs. on an area 24 in. by 12 in. or 75 lb./ft² uniform snow load

Service Life:

15 years service, 20 years storage

Structure:

Steel End Bands & Base Frame

Heat Transfer:

0.126 BTU/hr./sq. ft./°F.

Temperature Extremes:

Operating: -40°F to 125°F plus solar load to minimum of +180°F
Non-Operating: -65°F to 160°F

Wall, Roof and Floor Attachments:

2,000 lb. pullout and 40 inch-lb. torque

Panel Construction:

TYCOR® composite panels, providing superior corrosion resistance & durability



Dallastown, Pennsylvania USA
PH: 877 520 1773
FX: 717 246 5496
solutions@gichnerss.com
www.gichner.us