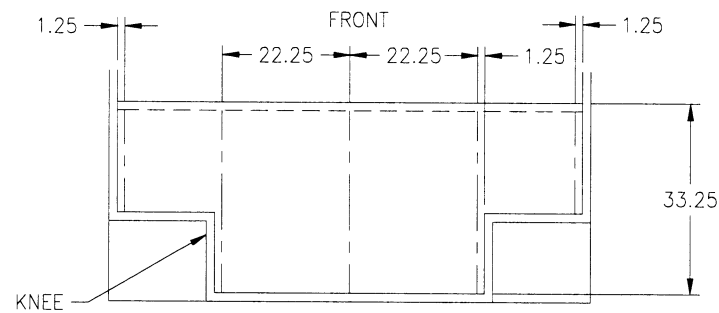
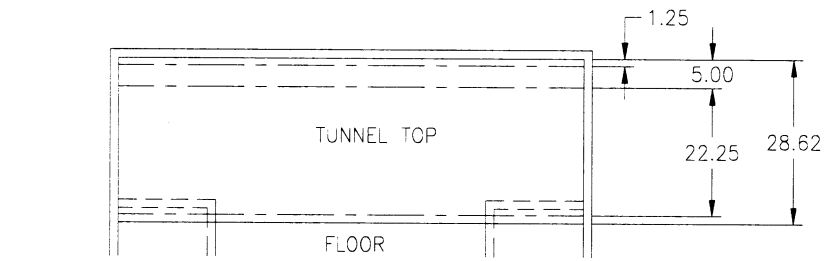
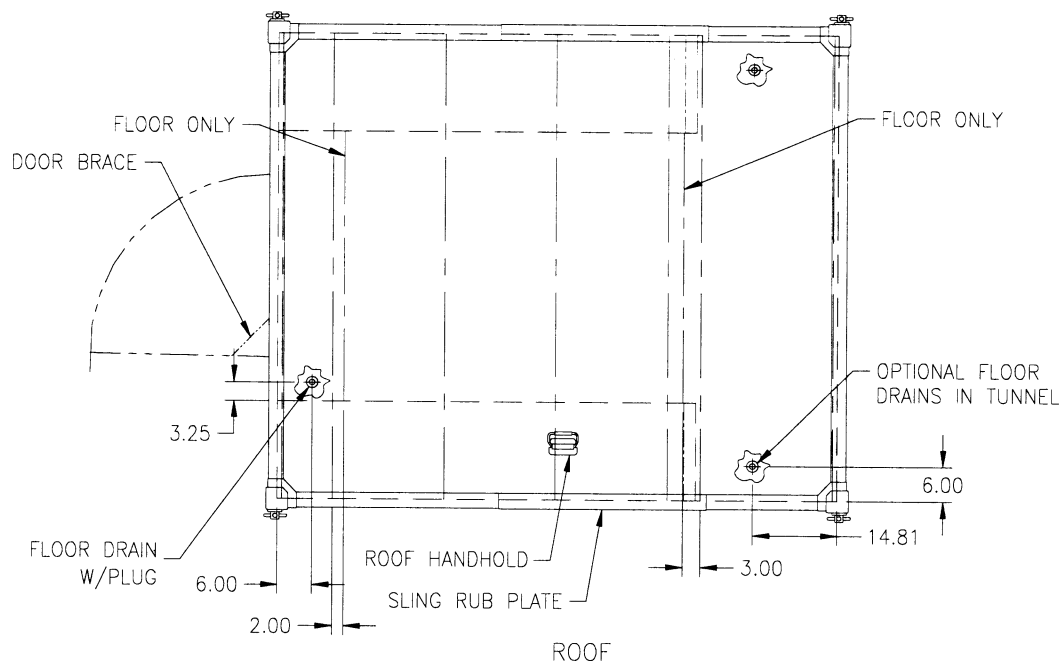


DWG NO	7039004	SH	1
REVISIONS			
ZONE	REV	DESCRIPTION	DATE
			APPROVED

CAD MAINTAINED. CHANGES SHALL BE INCORPORATED BY THE DESIGN ACTIVITY.

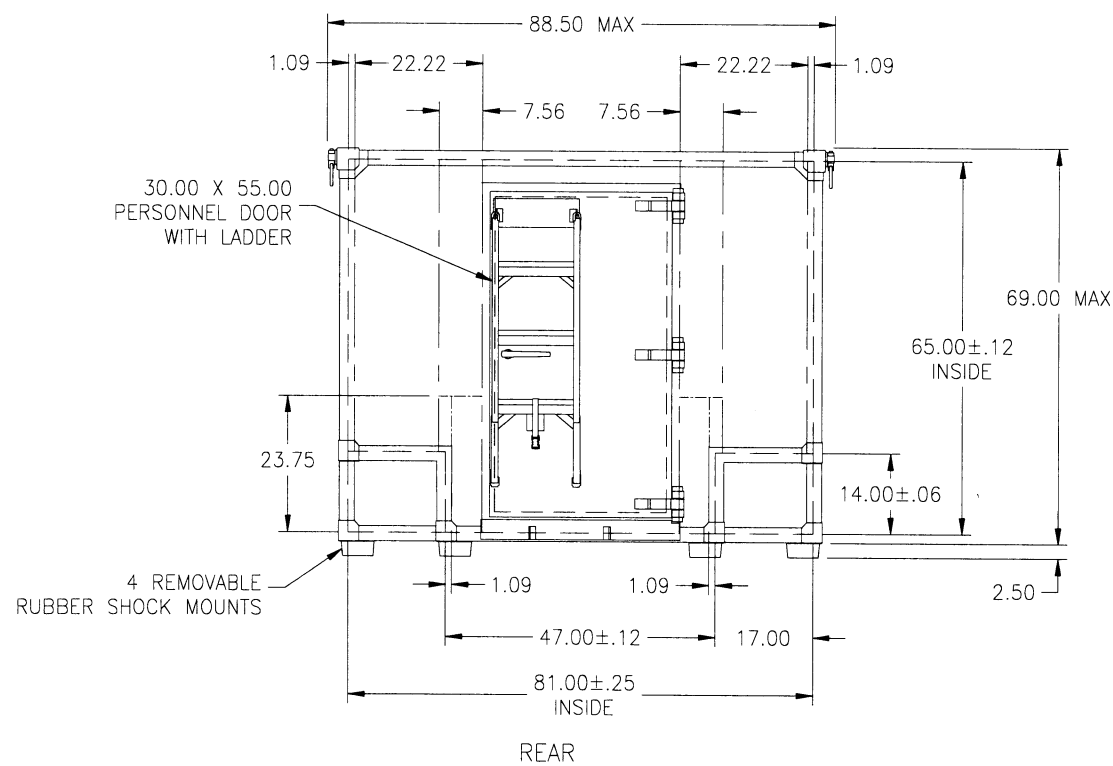


OPTIONAL TUNNEL DETAILS



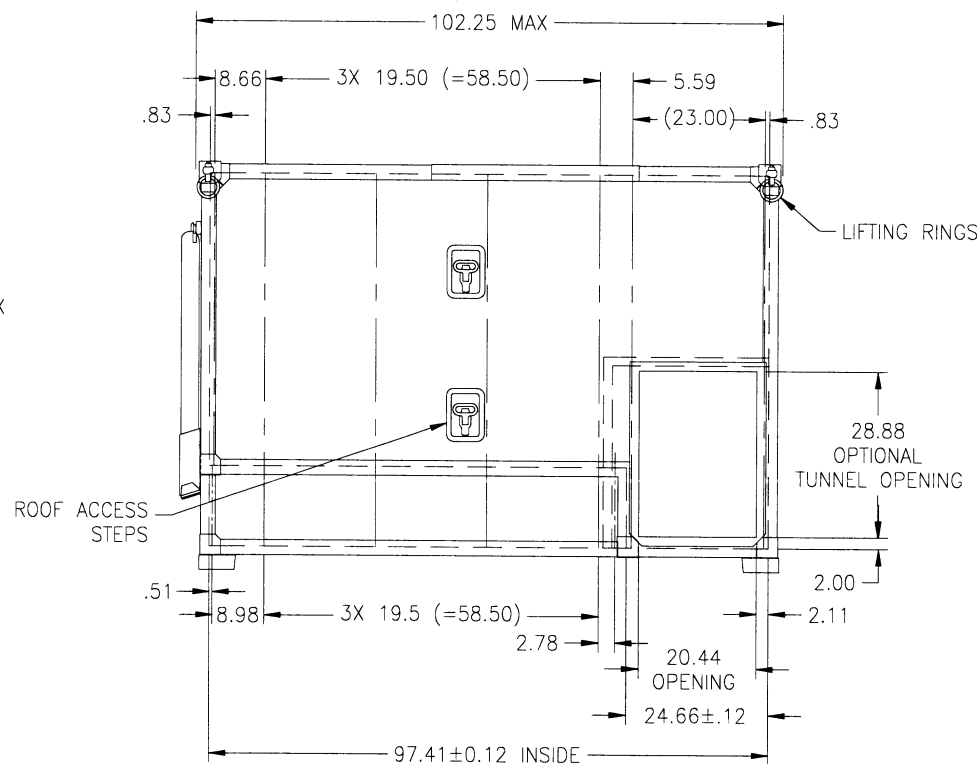
ROOF

STRUCTURAL MEMBER SPACING



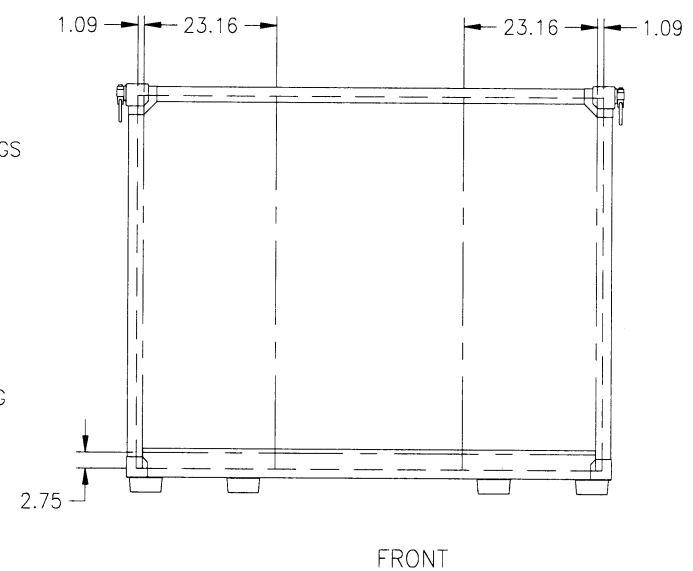
REAR

STRUCTURAL MEMBER SPACING FLOOR, ROOF, AND SIDEWALLS

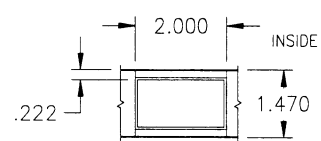


CURBSIDE

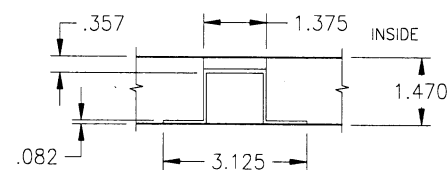
STRUCTURAL MEMBER SPACING



FRONT



TYPICAL STRUCTURE



KNEE

STRUCTURAL MEMBER DETAILS

REV STATUS OF SHEETS	REVISION																											
	SHEET	1	2	3	4	5	6	7	8	9	10	11	12	13	14	15	16	17	18	19	20	21	22	23	24	25	26	27
		UNLESS OTHERWISE SPECIFIED										CONTRACT NO																
		DIMENSIONS ARE IN INCHES.										APPROVALS																
		TOLERANCES ON:										DATE																
		2 PL DECIMALS ± .03										PREPARED SCS 03-04-01																
		3 PL DECIMALS ± .015										CHECKED RLS 03-04-11																
		ANGLES ± 1'										ENGINEER RLS 03-04-11																
		THIRD ANGLE PROJECTION										SIZE																
												CAGE CODE																
		NEXT ASSY										DRAWING NO																
		USED ON										D 29381																
		APPLICATION										SCALE 1/16																
		DO NOT SCALE DRAWING COPY										SHEET 1 OF 1																

Gichner Shelter Systems East Locust Street
Dallastown, PA 17313

HMMWV SHELTER
GSS-1497B

SIZE D 29381 DRAWING NO 7039004