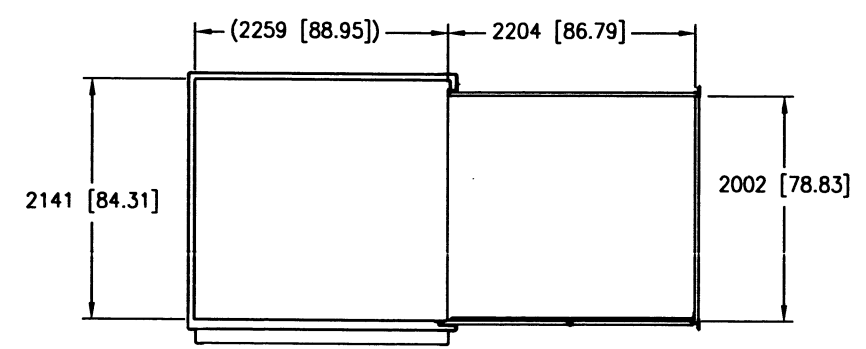


7043189		1	
REVISIONS		DATE	APPROVED
ZONE	REV	DESCRIPTION	

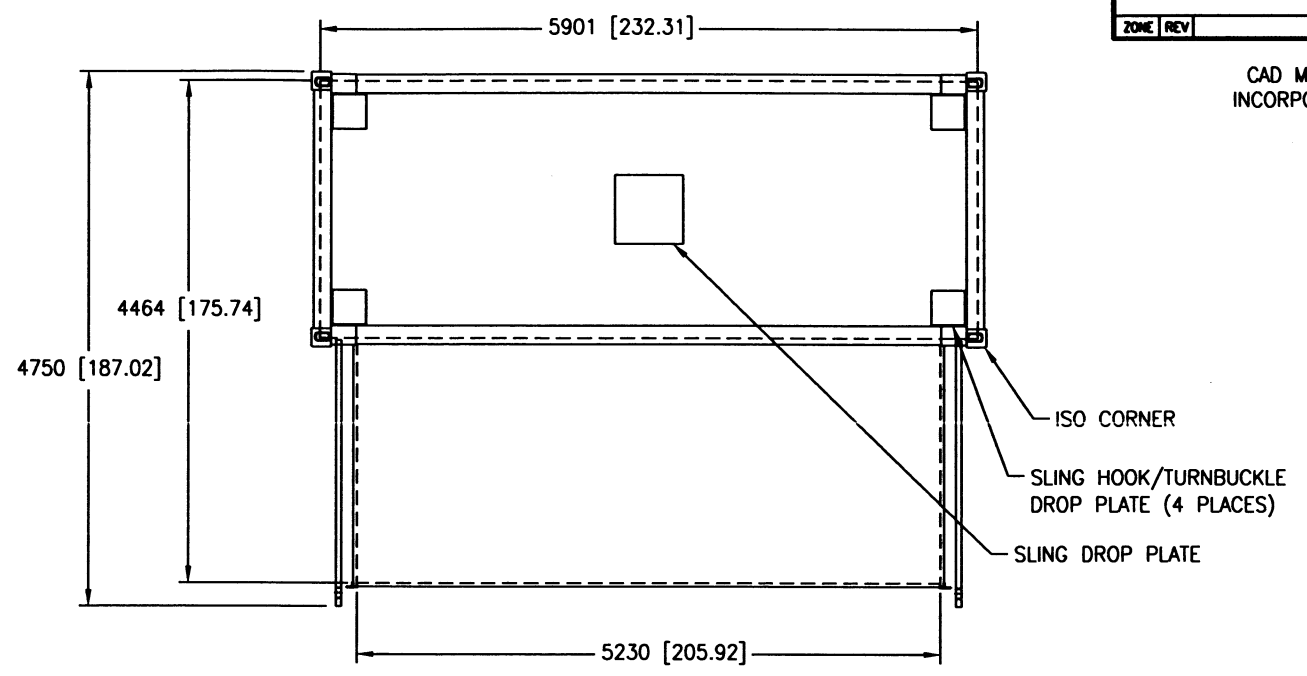
CAD MAINTAINED. CHANGES SHALL BE INCORPORATED BY THE DESIGN ACTIVITY.

NOTES: UNLESS OTHERWISE SPECIFIED.

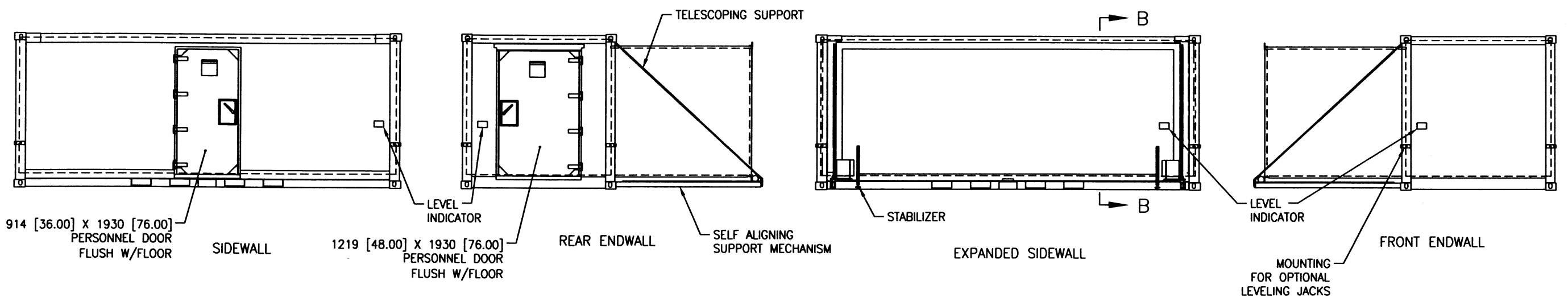
1. DIMENSIONS ARE IN MILLIMETERS. DIMENSIONS IN BRACKETS ARE INCHES.



SECTION B-B



ROOF



914 [36.00] X 1930 [76.00]
PERSONNEL DOOR
FLUSH W/FLOOR

SIDEWALL

1219 [48.00] X 1930 [76.00]
PERSONNEL DOOR
FLUSH W/FLOOR

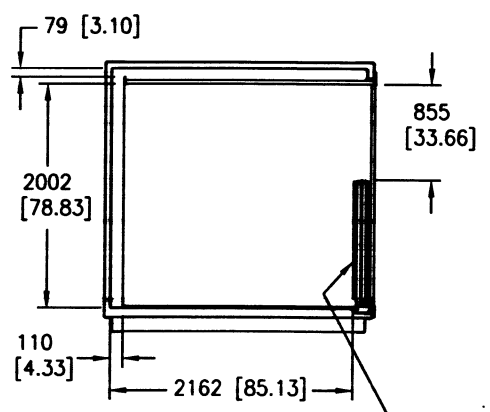
REAR ENDWALL

SELF ALIGNING
SUPPORT MECHANISM

EXPANDED SIDEWALL

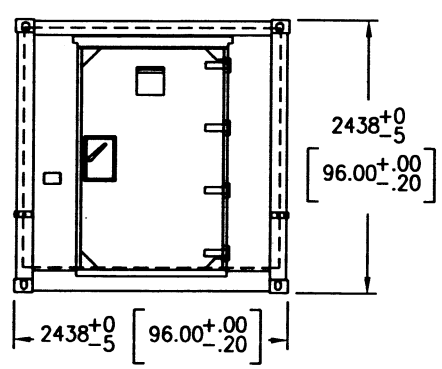
MOUNTING
FOR OPTIONAL
LEVELING JACKS

FRONT ENDWALL

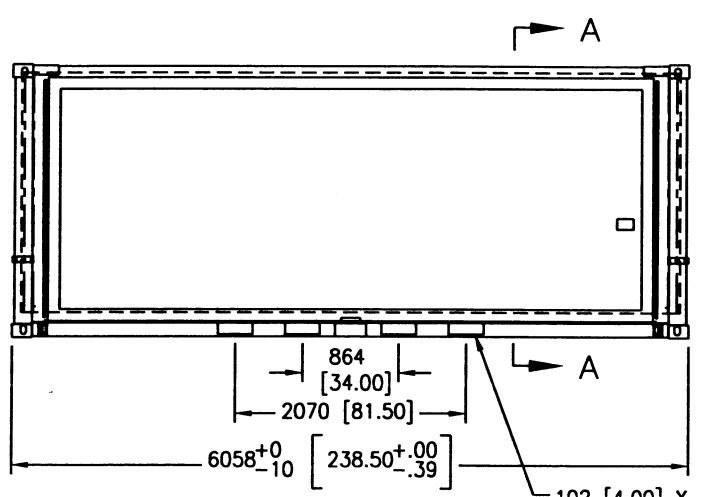


SECTION A-A

FOLDED EXPANDING SECTION
FLOOR PANEL



TRANSPORTABLE CONFIGURATION



102 [4.00] X
311 [12.25]
FORK LIFT POCKETS

REV STATUS OF SHEETS	REVISION																													
	SHEET	1	2	3	4	5	6	7	8	9	10	11	12	13	14	15	16	17	18	19	20	21	22	23	24	25	26	27		
		UNLESS OTHERWISE SPECIFIED										CONTRACT NO		Gichner Shelter Systems East Locust Street Dallastown, PA 17313																
		DIMENSIONS ARE IN INCHES: TOLERANCES ON: MILLIMETERS										APPROVALS		DATE		OUTLINE DRAWING ISO SHELTER/CONTAINER GSS EXPANDABLE, 1-SIDE														
		2 PL. DECIMALS ± .03										PREPARED RLS		05-05-23		D 29381 7043189														
		3 PL. DECIMALS ± .015										CHECKED DWH		05-05-26		SCALE 1/32 SHEET 1 OF 1														
		ANGLES ± 1°										ENGINEER RLS		05-05-26		7042151														
		THIRD ANGLE PROJECTION										NEXT ASSY USED ON																		
		DO NOT SCALE DRAWING COPY										APPLICATION																		

THIS DRAWING AND THE INFORMATION DISCLOSED HEREIN IS PROPRIETARY AND SHALL NOT BE REPRODUCED, TRANSFERRED TO OTHER DOCUMENTS, OR DISCLOSED TO OTHERS EXCEPT AS SPECIFICALLY AUTHORIZED IN WRITING BY GICHNER SHELTER SYSTEMS.