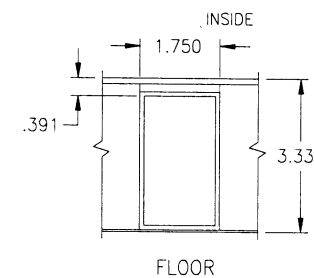
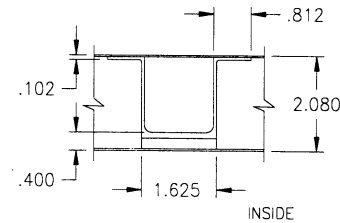
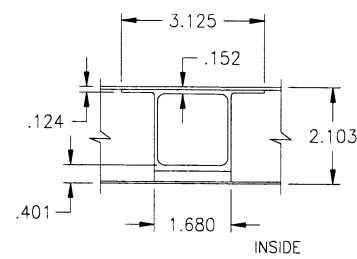
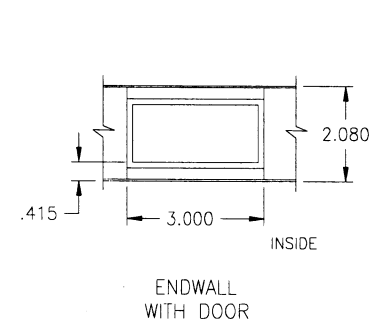
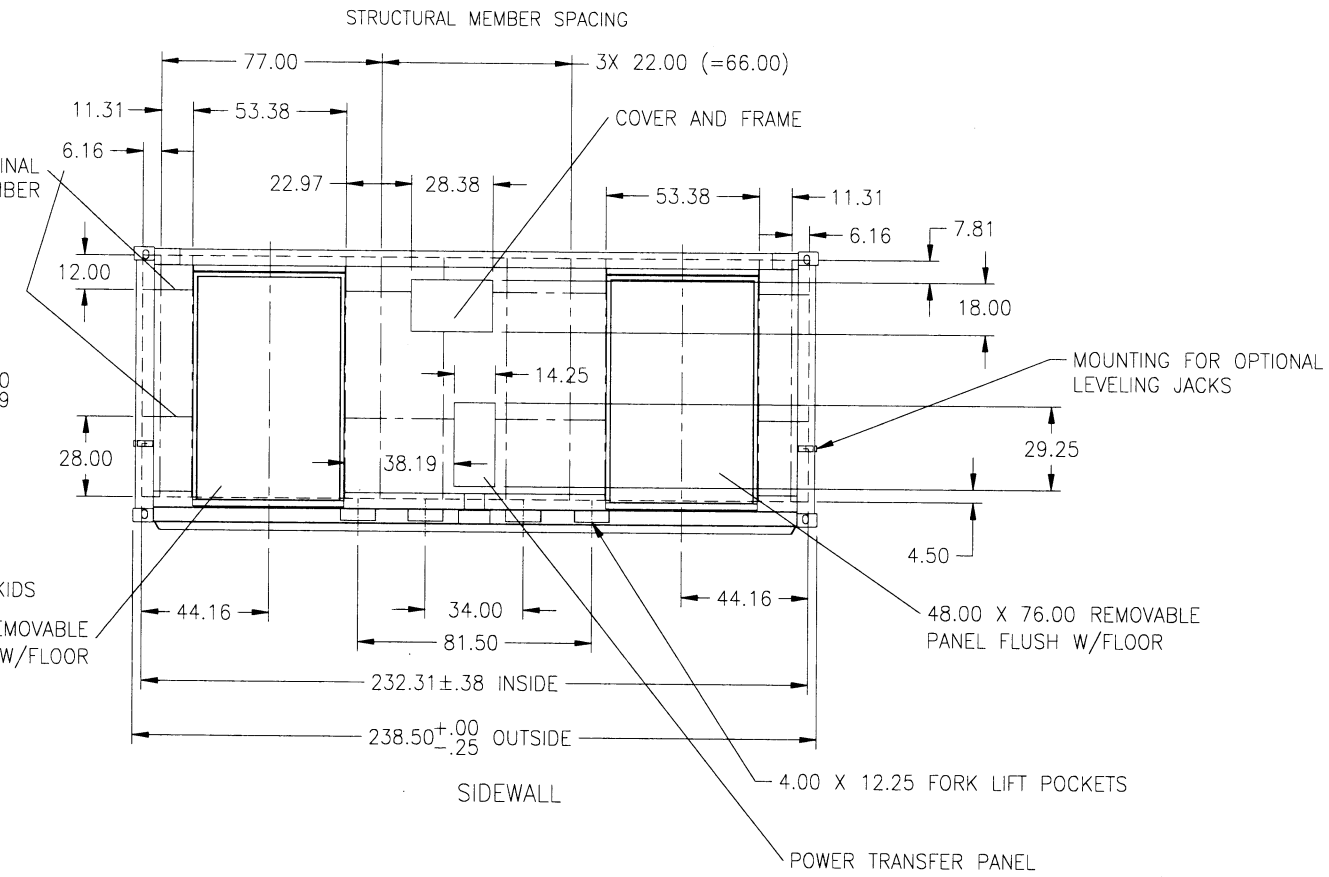
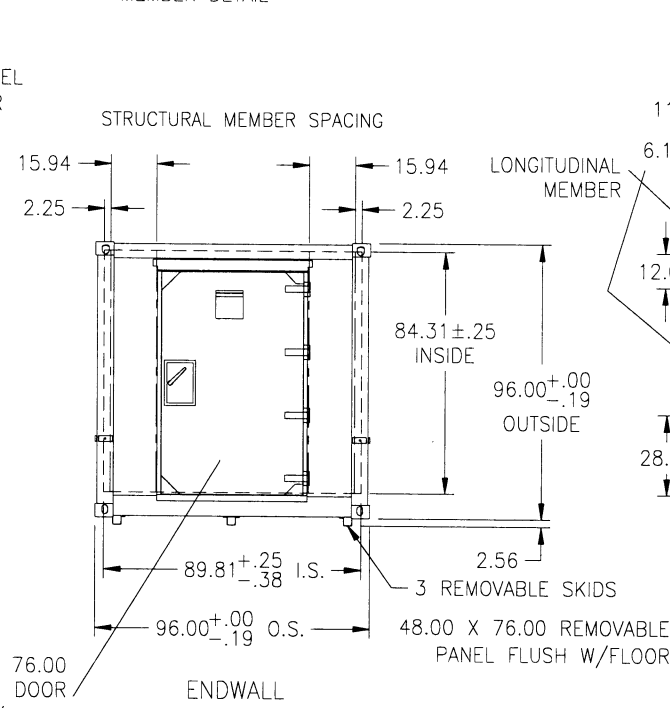
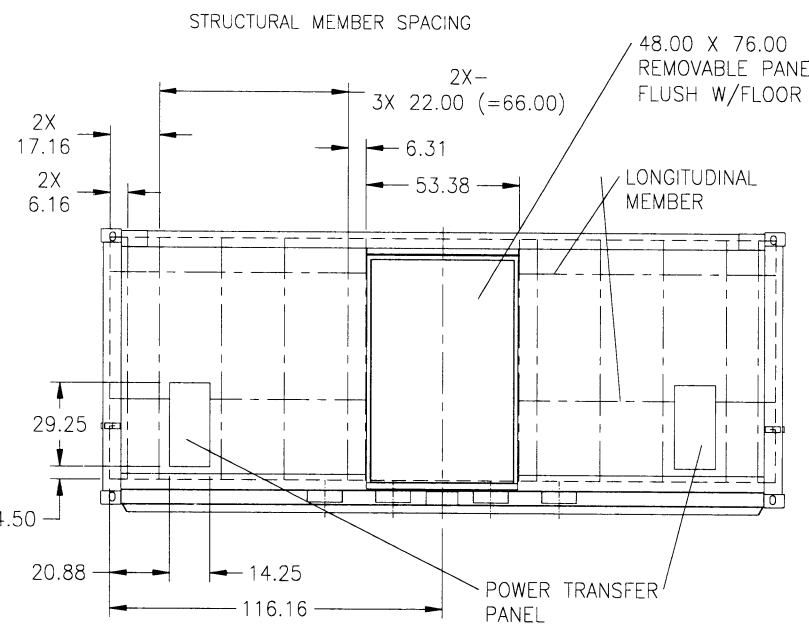
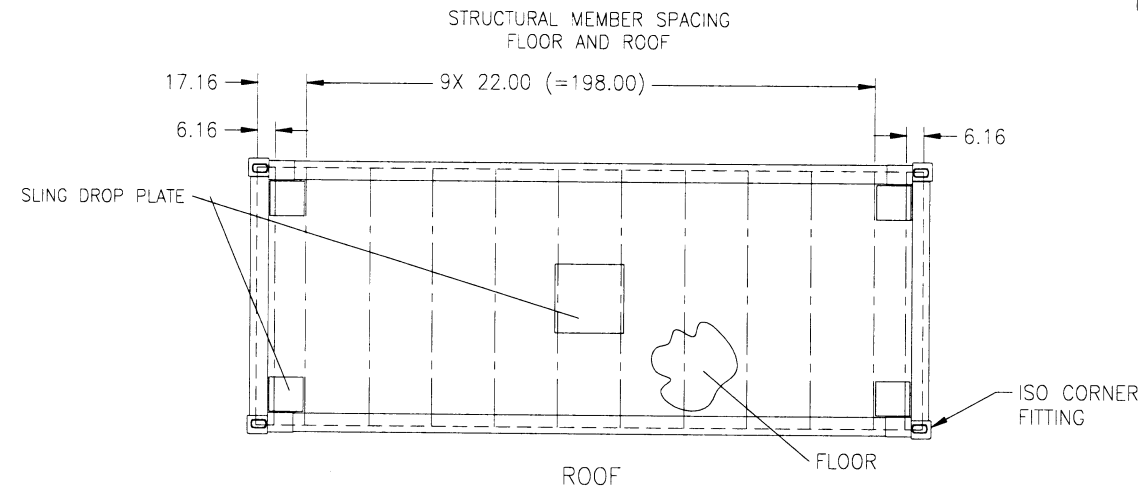
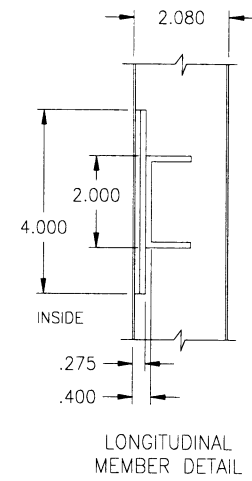


DWG NO	7006469	SH	1	1
REVISIONS				
ZONE	REV	DESCRIPTION	DATE	APPROVED
C	ECN 030217	REDRAWN W/CHG	SCS 03-03-24	RLS

CAD MAINTAINED. CHANGES SHALL BE INCORPORATED BY THE DESIGN ACTIVITY.



STRUCTURAL MEMBER DETAILS

THIS DRAWING AND THE INFORMATION DISCLOSED HEREIN IS PROPRIETARY AND SHALL NOT BE REPRODUCED, TRANSFERRED TO OTHER DOCUMENTS, OR DISCLOSED TO OTHERS EXCEPT AS SPECIFICALLY AUTHORIZED IN WRITING BY GICHNER SHELTER SYSTEMS.

REV STATUS OF SHEETS	REVISION	C	1	2	3	4	5	6	7	8	9	10	11	12	13	14	15	16	17	18	19	20	21	22	23	24	25	26	27
UNLESS OTHERWISE SPECIFIED DIMENSIONS ARE IN INCHES. TOLERANCES ON: 2 PL DECIMALS ± .03 3 PL DECIMALS ± .015 ANGLES ± 1°											CONTRACT NO																		
THIRD ANGLE PROJECTION											APPROVALS																		
NEXT ASSY											PREPARED SCS 83-05-05																		
USED ON											CHECKED RLS 03-03-31																		
APPLICATION											ENGINEER RLS 03-03-31																		
DO NOT SCALE DRAWING COPY											Gichner Shelter Systems East Locust Street Dallastown, PA 17313																		
											ISO SHELTER/CONTAINER GMS-459/2																		
											SIZE D 29381 DRAWING NO 7006469																		
											SCALE 1/32 SHEET 1 OF 1																		