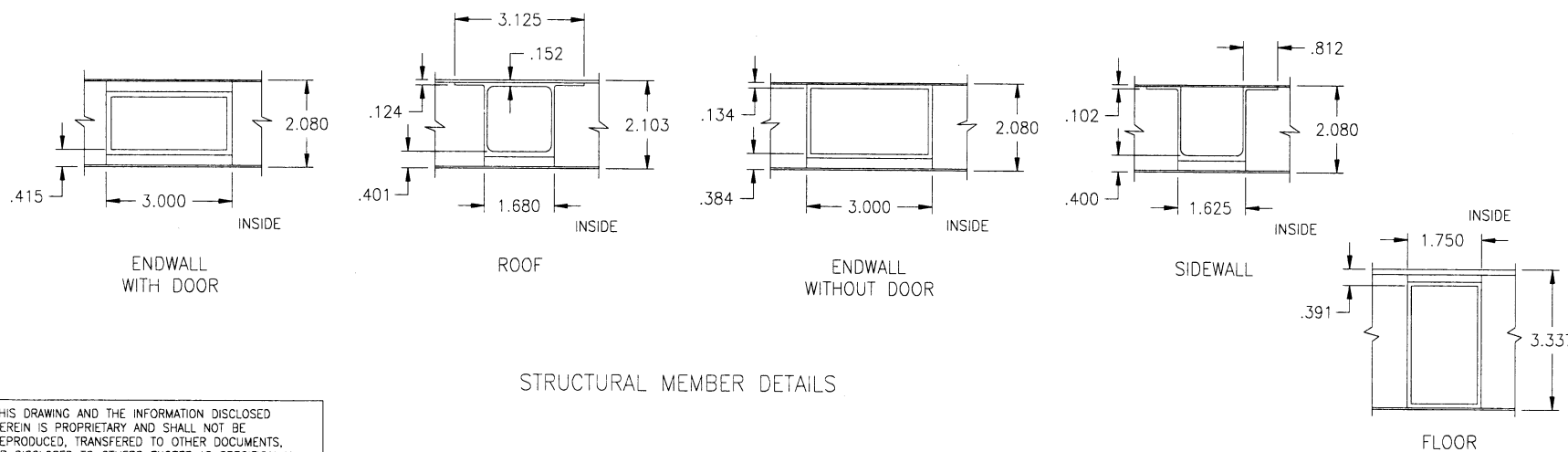
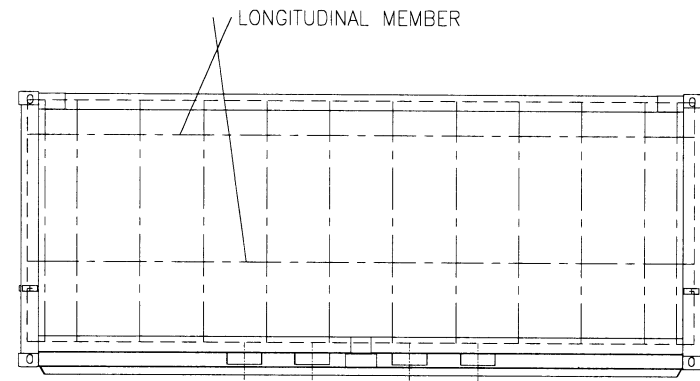
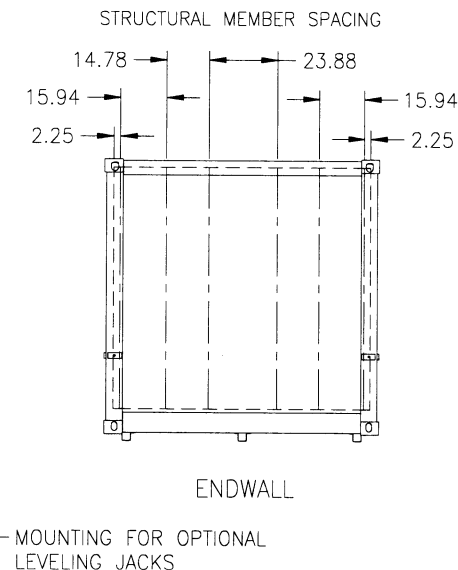
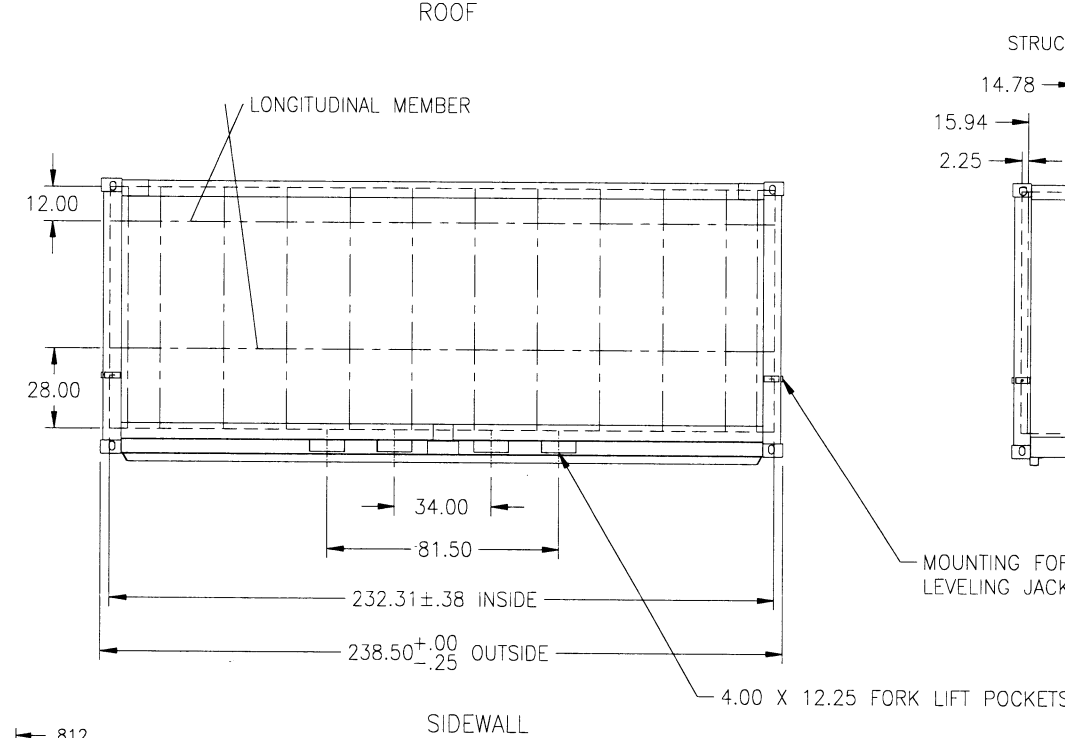
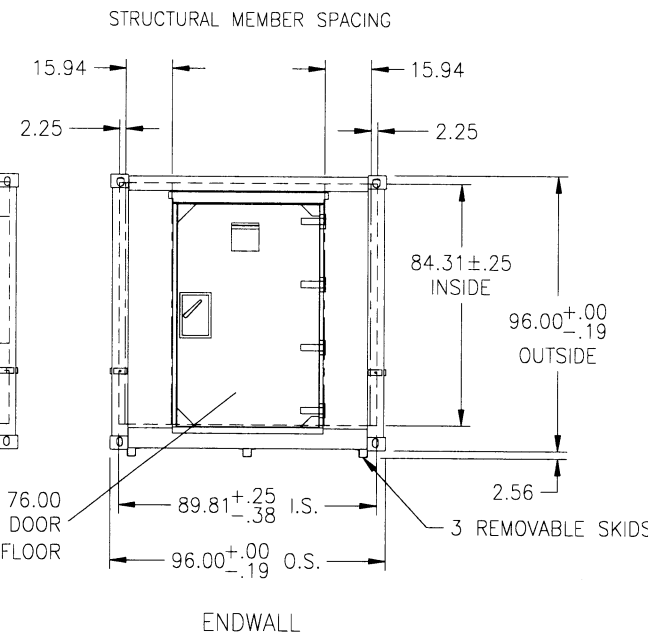
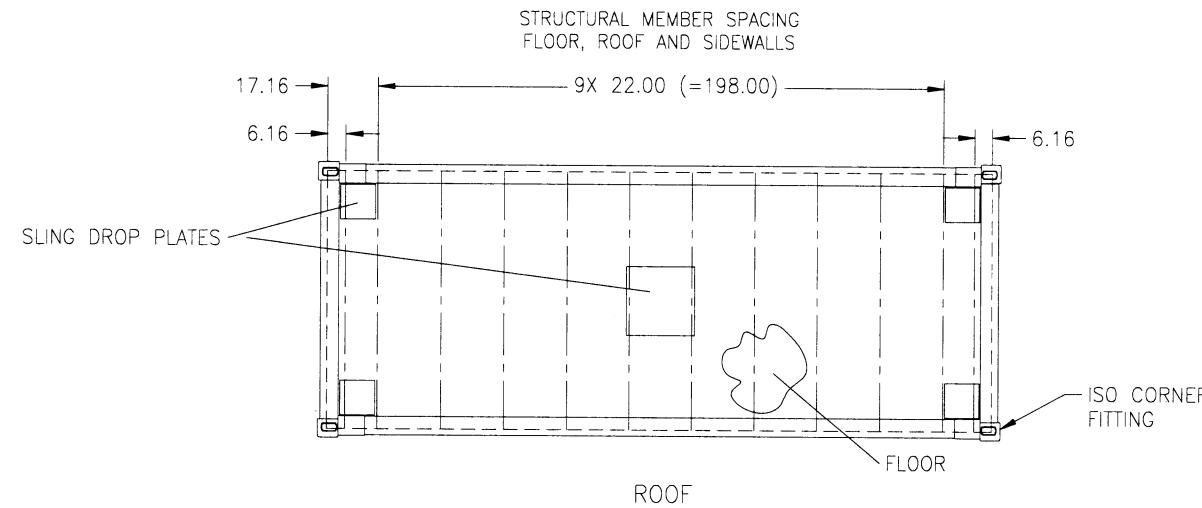
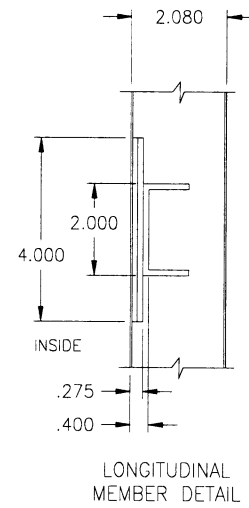


DWG NO	7009616	SH	1	1
REVISIONS				
ZONE	REV	DESCRIPTION	DATE	APPROVED
D	ECN 030217	REDRAWN W/CHG	SCS 03-03-11	RLS

CAD MAINTAINED. CHANGES SHALL BE INCORPORATED BY THE DESIGN ACTIVITY.



REV STATUS OF SHEETS	REVISION	D	1	2	3	4	5	6	7	8	9	10	11	12	13	14	15	16	17	18	19	20	21	22	23	24	25	26	27
UNLESS OTHERWISE SPECIFIED		CONTRACT NO															Gichner Shelter Systems East Locust Street Dallastown, PA 17313												
DIMENSIONS ARE IN INCHES.		APPROVALS															DATE												
TOLERANCES ON:		PREPARED SCS 83-08-13															ISO SHELTER/CONTAINER GMS-459												
2 PL DECIMALS ± .03		CHECKED RLS 03-03-31															SIZE D 29381 DRAWING NO 7009616												
3 PL DECIMALS ± .015		ENGINEER RLS 03-03-31															SCALE 1/32 SHEET 1 OF 1												
ANGLES ± 1'		THIRD ANGLE PROJECTION															DO NOT SCALE DRAWING COPY												
NEXT ASSY		USED ON															APPLICATION												

THIS DRAWING AND THE INFORMATION DISCLOSED HEREIN IS PROPRIETARY AND SHALL NOT BE REPRODUCED, TRANSFERRED TO OTHER DOCUMENTS, OR DISCLOSED TO OTHERS EXCEPT AS SPECIFICALLY AUTHORIZED IN WRITING BY GICHNER SHELTER SYSTEMS.