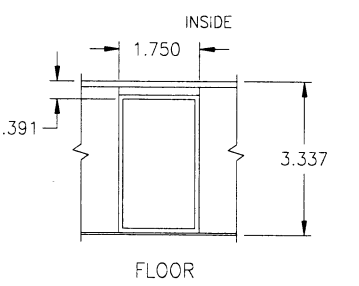
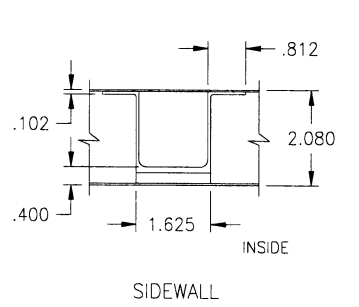
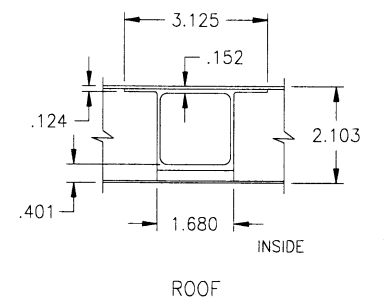
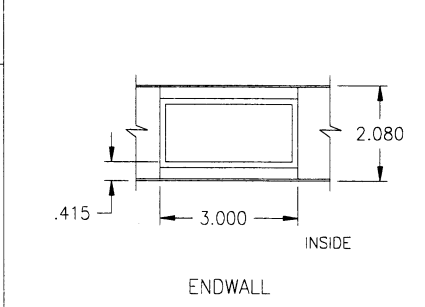
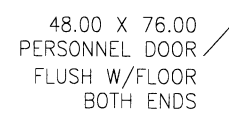
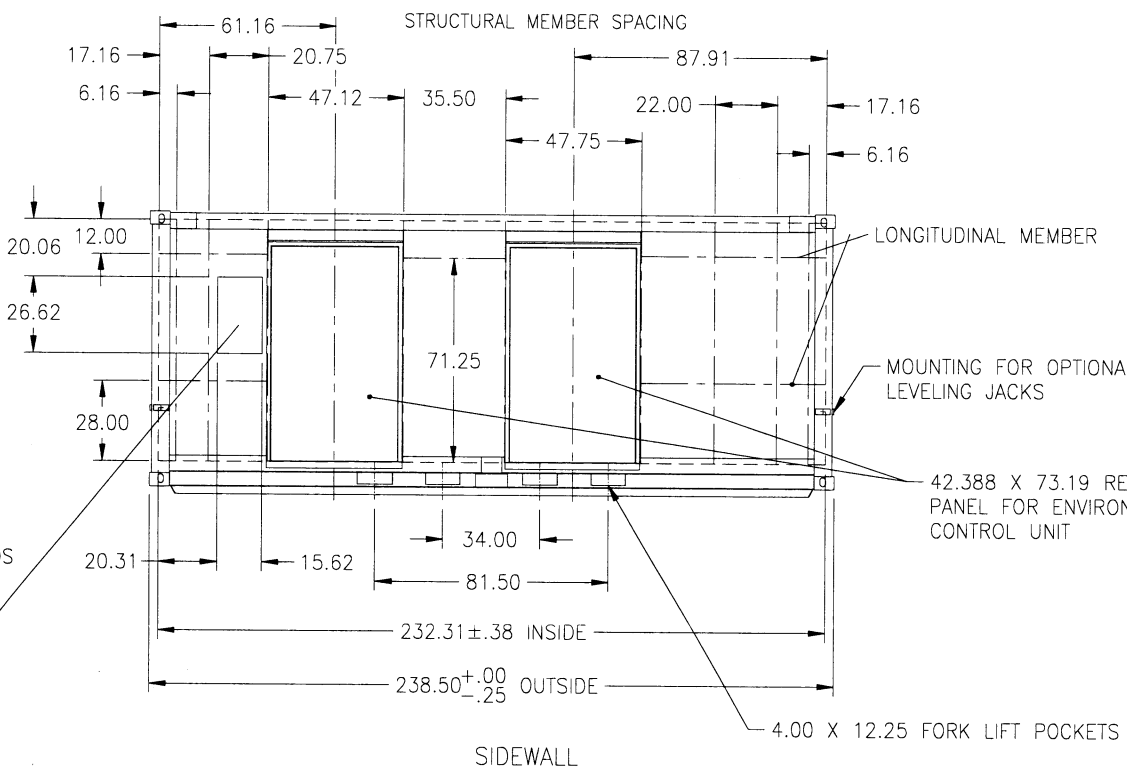
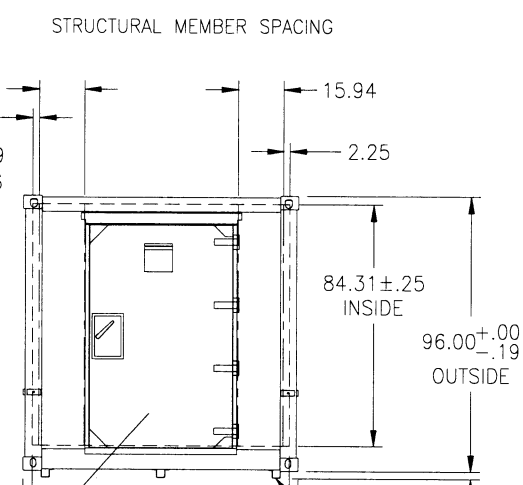
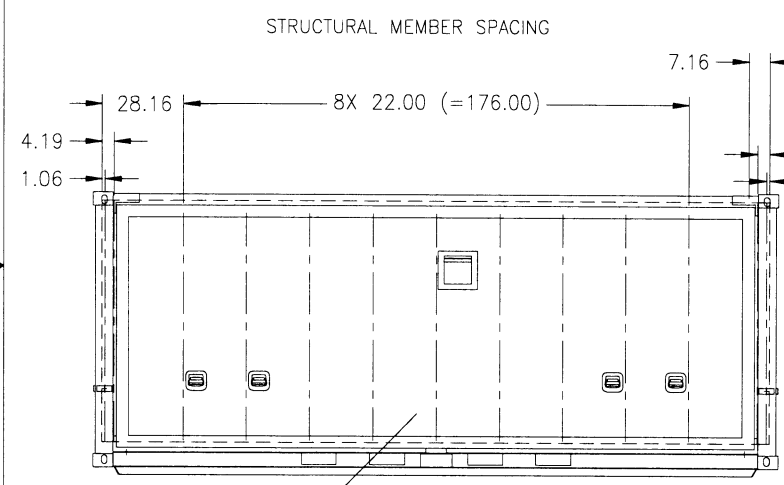
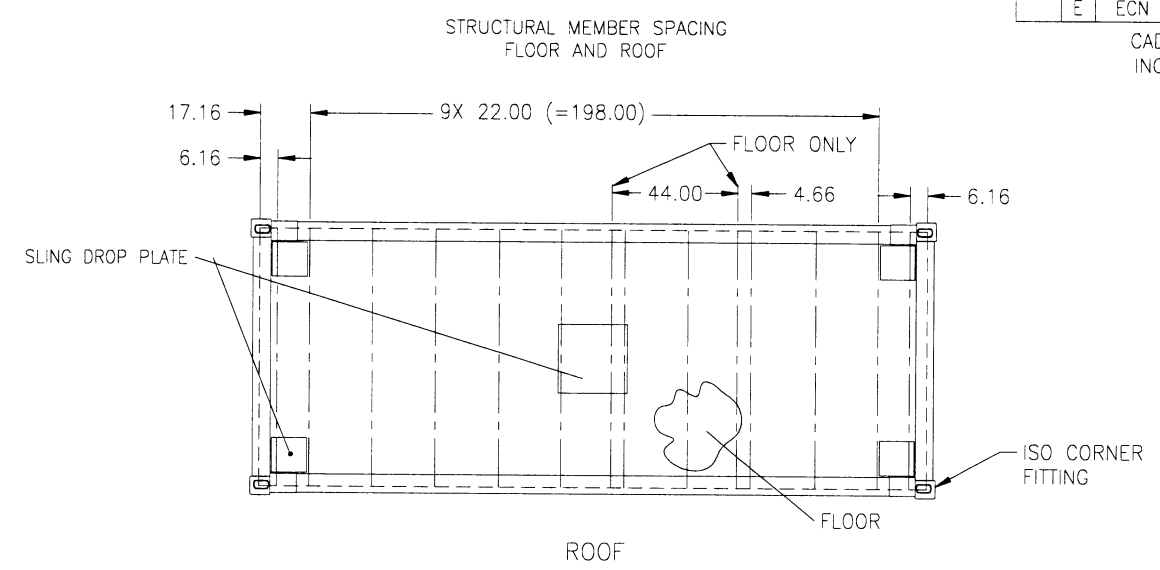
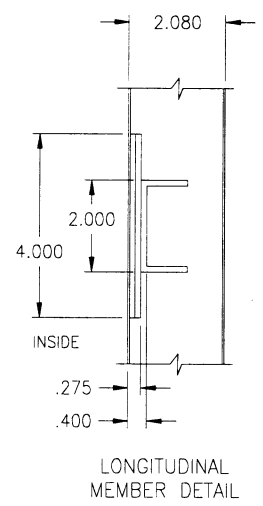


REVISIONS				
ZONE	REV	DESCRIPTION	DATE	APPROVED
E	ECN 030217	REDRAWN W/CHG	SCS 03-03-27	RLS

CAD MAINTAINED. CHANGES SHALL BE INCORPORATED BY THE DESIGN ACTIVITY.



STRUCTURAL MEMBER DETAILS

REV STATUS OF SHEETS	REVISION	E	1	2	3	4	5	6	7	8	9	10	11	12	13	14	15	16	17	18	19	20	21	22	23	24	25	26	27
UNLESS OTHERWISE SPECIFIED										CONTRACT NO																			
DIMENSIONS ARE IN INCHES.										APPROVALS																			
TOLERANCES ON:										DATE																			
2 PL DECIMALS ± .03										PREPARED SCS 83-05-05																			
3 PL DECIMALS ± .015										CHECKED RLS 03-03-31																			
ANGLES ± 1'										ENGINEER RLS 03-03-31																			
THIRD ANGLE PROJECTION										SIZE D 29381																			
NEXT ASSY USED ON										DRAWING NO 7006540																			
APPLICATION DO NOT SCALE DRAWING COPY										SCALE 1/32 SHEET 1 OF 1																			

Gichner Shelter Systems East Locust Street
Dallastown, PA 17313

ISO SHELTER/CONTAINER
GMS-628/1

THIS DRAWING AND THE INFORMATION DISCLOSED HEREIN IS PROPRIETARY AND SHALL NOT BE REPRODUCED, TRANSFERRED TO OTHER DOCUMENTS, OR DISCLOSED TO OTHERS EXCEPT AS SPECIFICALLY AUTHORIZED IN WRITING BY GICHNER SHELTER SYSTEMS.