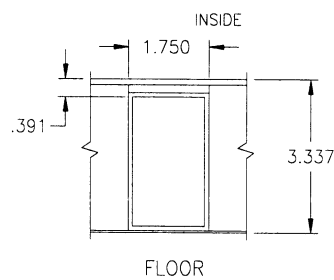
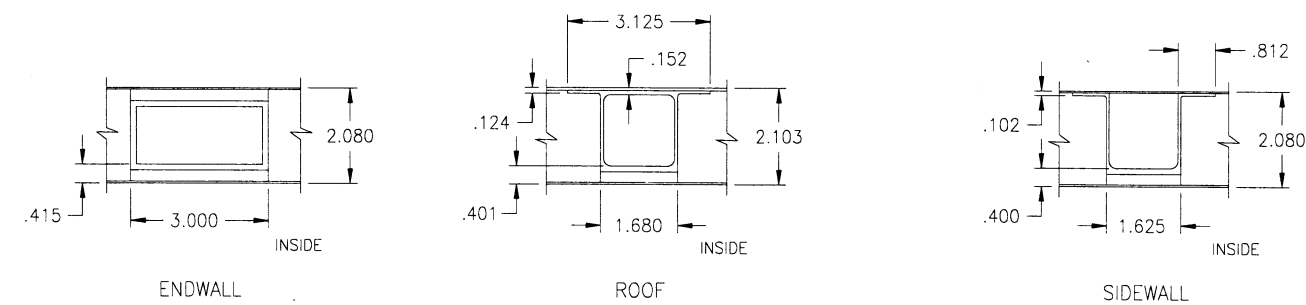
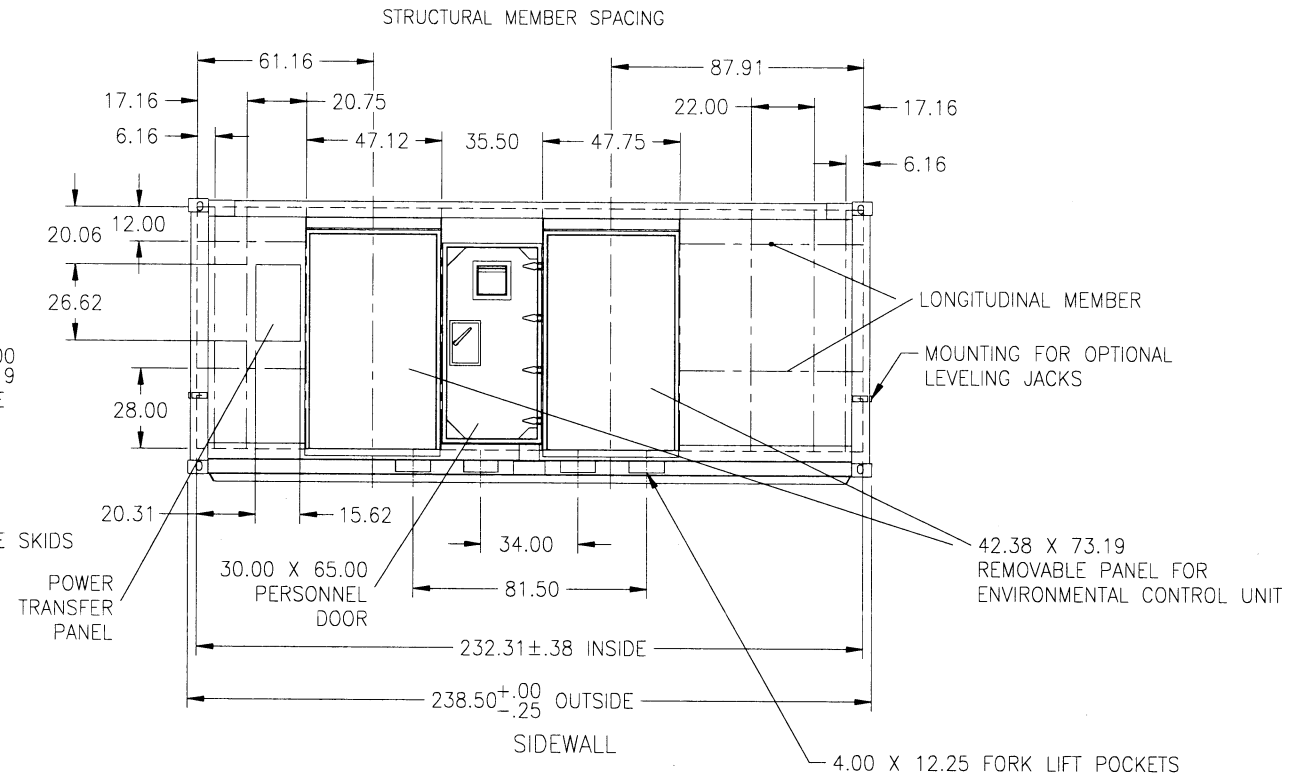
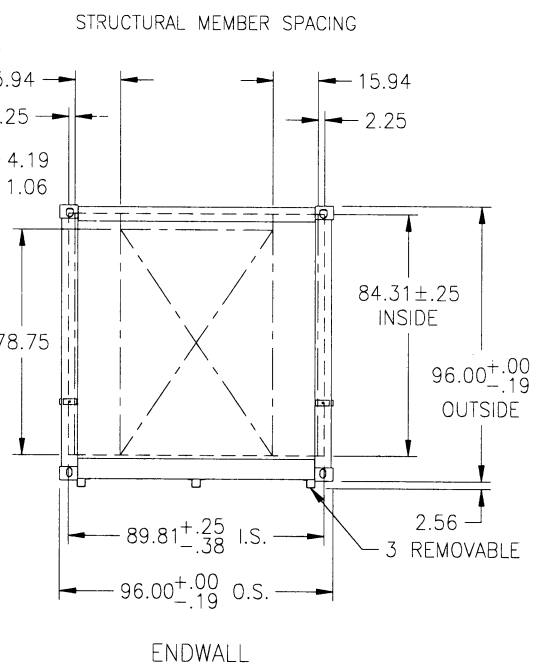
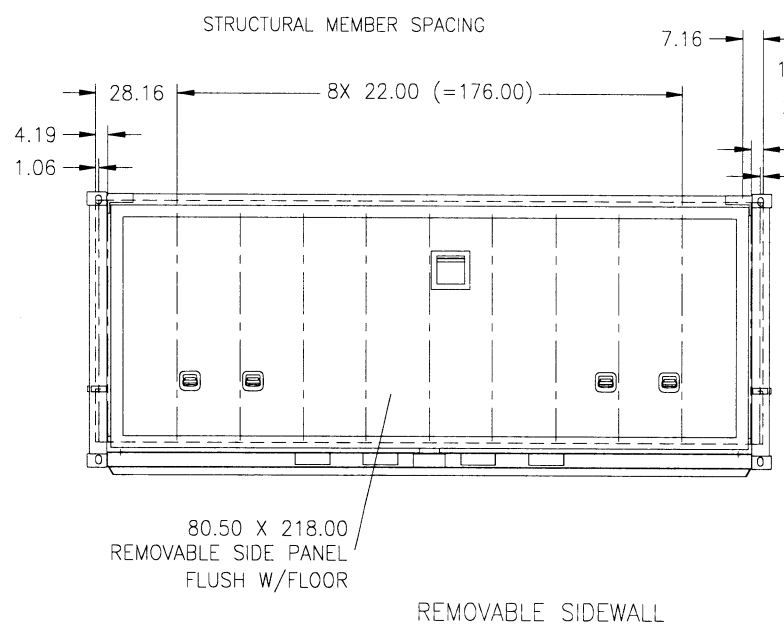
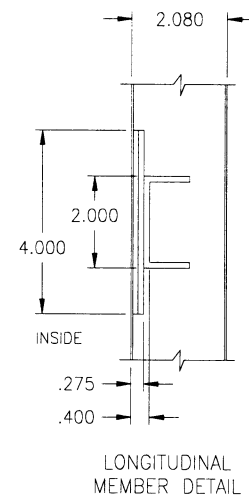
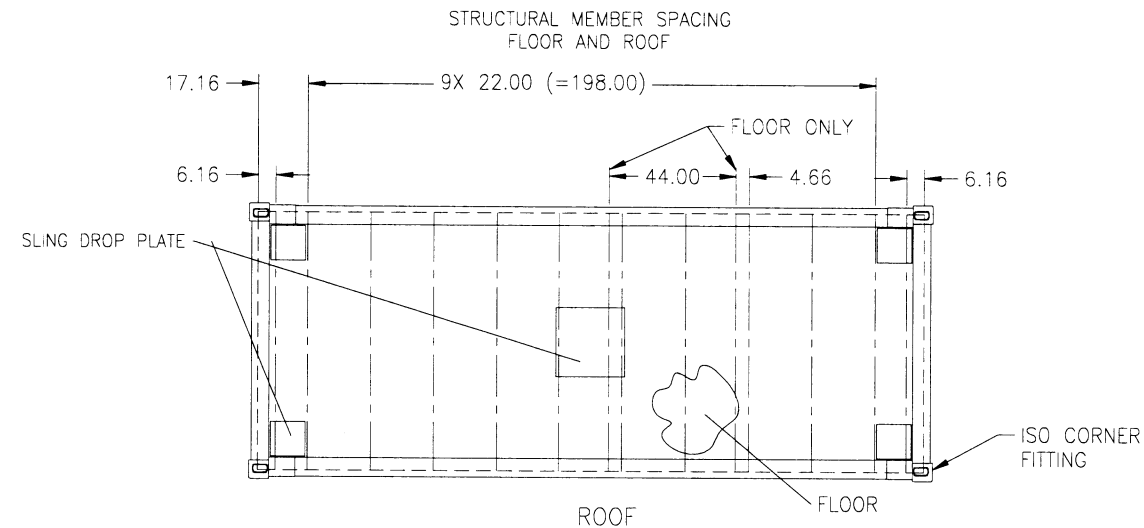


DWG NO	7006541	ISH	1
REVISIONS			
ZONE	REV	DESCRIPTION	DATE
E	ECN 030217	REDRAWN W/CHG SCS	03-03-28
			APPROVED
			RLS

CAD MAINTAINED. CHANGES SHALL BE INCORPORATED BY THE DESIGN ACTIVITY.



STRUCTURAL MEMBER DETAILS

THIS DRAWING AND THE INFORMATION DISCLOSED HEREIN IS PROPRIETARY AND SHALL NOT BE REPRODUCED, TRANSFERRED TO OTHER DOCUMENTS, OR DISCLOSED TO OTHERS EXCEPT AS SPECIFICALLY AUTHORIZED IN WRITING BY GICHNER SHELTER SYSTEMS.

REV STATUS OF SHEETS	REVISION	E	1	2	3	4	5	6	7	8	9	10	11	12	13	14	15	16	17	18	19	20	21	22	23	24	25	26	27
		UNLESS OTHERWISE SPECIFIED CONTRACT NO															Gichner East Locust Street Shelter Systems Dallastown, PA 17313												
		DIMENSIONS ARE IN INCHES. TOLERANCES ON: 2 PL DECIMALS ± .03 3 PL DECIMALS ± .015 ANGLES ± 1'															APPROVALS DATE PREPARED SCS 83-05-05												
		THIRD ANGLE PROJECTION															CHECKED RLS 03-03-31												
		NEXT ASSY USED ON															ENGINEER RLS 03-03-31												
		APPLICATION															DO NOT SCALE DRAWING COPY												
		SCALE 1/32															SHEET 1 OF 1												
		DRAWING NO 7006541															SIZE CAGE CODE D 29381												
		ISO SHELTER/CONTAINER GMS-628/2																											