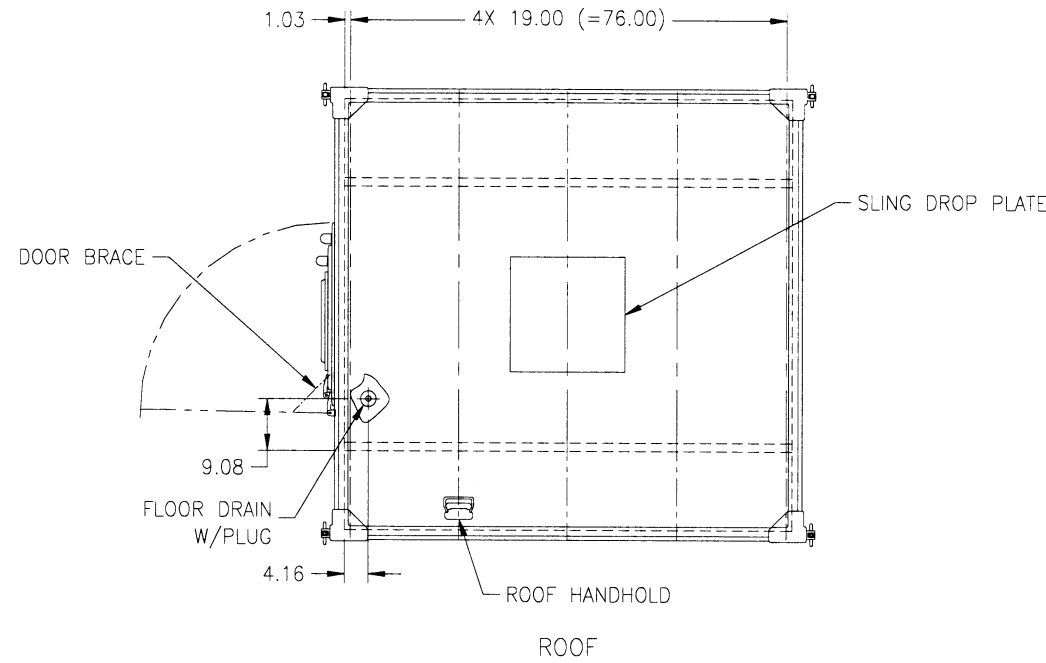


DWG NO	7010685	SH	1	REVISIONS			
ZONE	REV	DESCRIPTION	DATE	APPROVED			
C	ECN 030217	REDRAWN W/CHG	03-05-07	RLS			

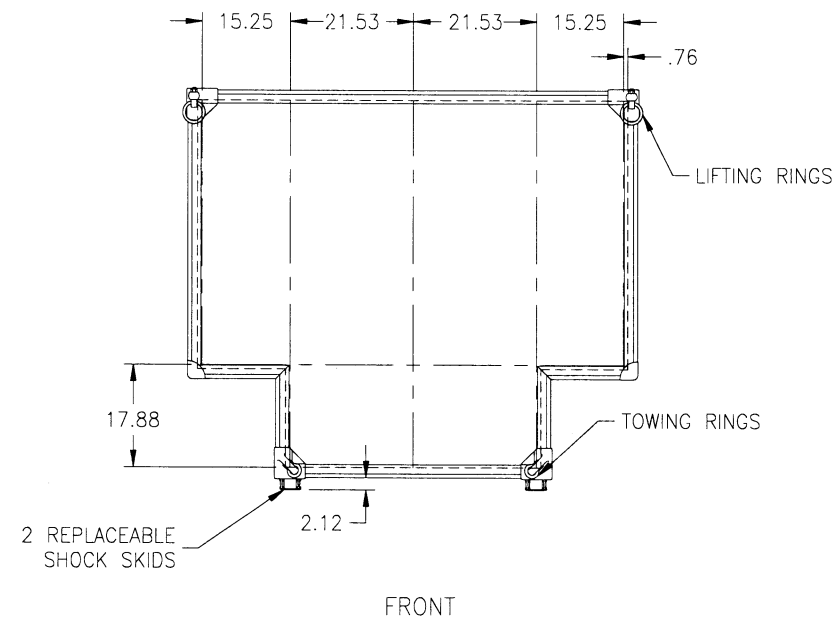
CAD MAINTAINED. CHANGES SHALL BE INCORPORATED BY THE DESIGN ACTIVITY.

STRUCTURAL MEMBER SPACING
ROOF, SIDEWALLS AND TOP OF KNEES

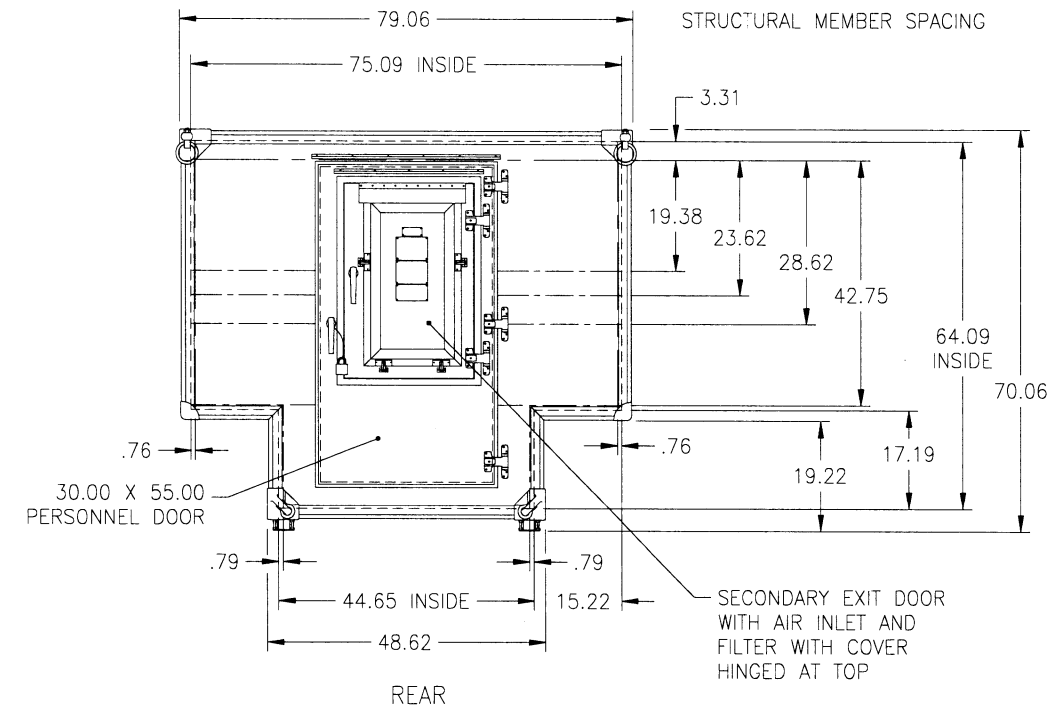


ROOF

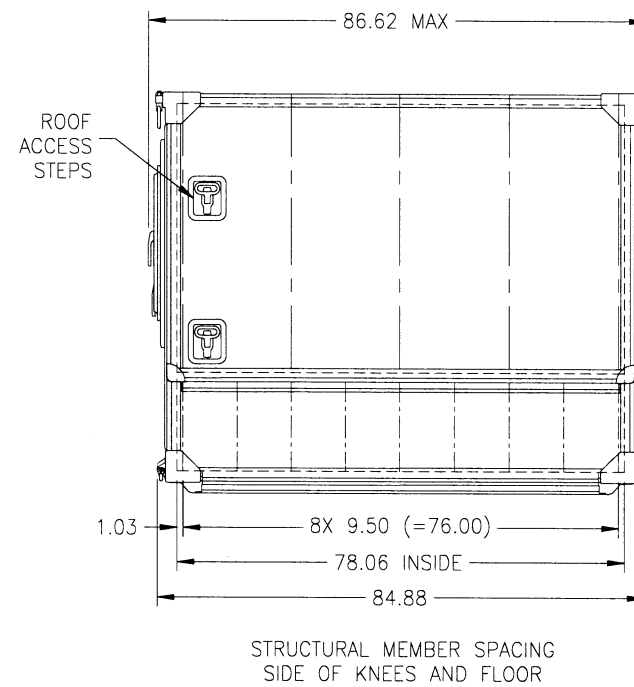
STRUCTURAL MEMBER SPACING



FRONT

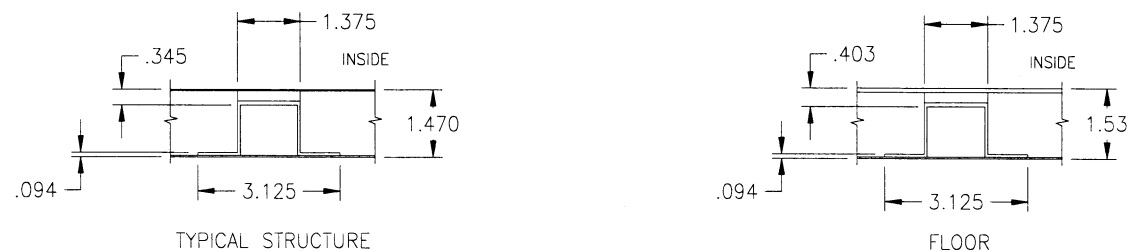


REAR



STRUCTURAL MEMBER SPACING
SIDE OF KNEES AND FLOOR

CURBSIDE



STRUCTURAL MEMBER DETAILS

REV STATUS OF SHEETS	REVISION	C	1	2	3	4	5	6	7	8	9	10	11	12	13	14	15	16	17	18	19	20	21	22	23	24	25	26	27
		UNLESS OTHERWISE SPECIFIED		CONTRACT NO														Gichner Shelter Systems East Locust Street Dallastown, PA 17313											
		DIMENSIONS ARE IN INCHES.		APPROVALS														DATE											
		TOLERANCES ON:		PREPARED SCS 83-10-19														SHELTER, ELECTRICAL EQUIPMENT S-250/G											
		2 PL DECIMALS ± .03		CHECKED RLS 03-05-14														SIZE D 29381 DRAWING NO 7010685											
		3 PL DECIMALS ± .015		ENGINEER RLS 03-05-14														SCALE 1/16 SHEET 1 OF 1											
		ANGLES ± 1°		THIRD ANGLE PROJECTION																									
				DO NOT SCALE DRAWING COPY																									
NEXT ASSY	USED ON																												