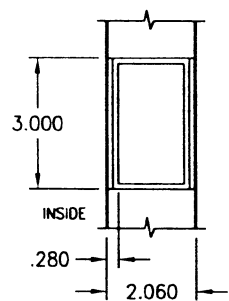
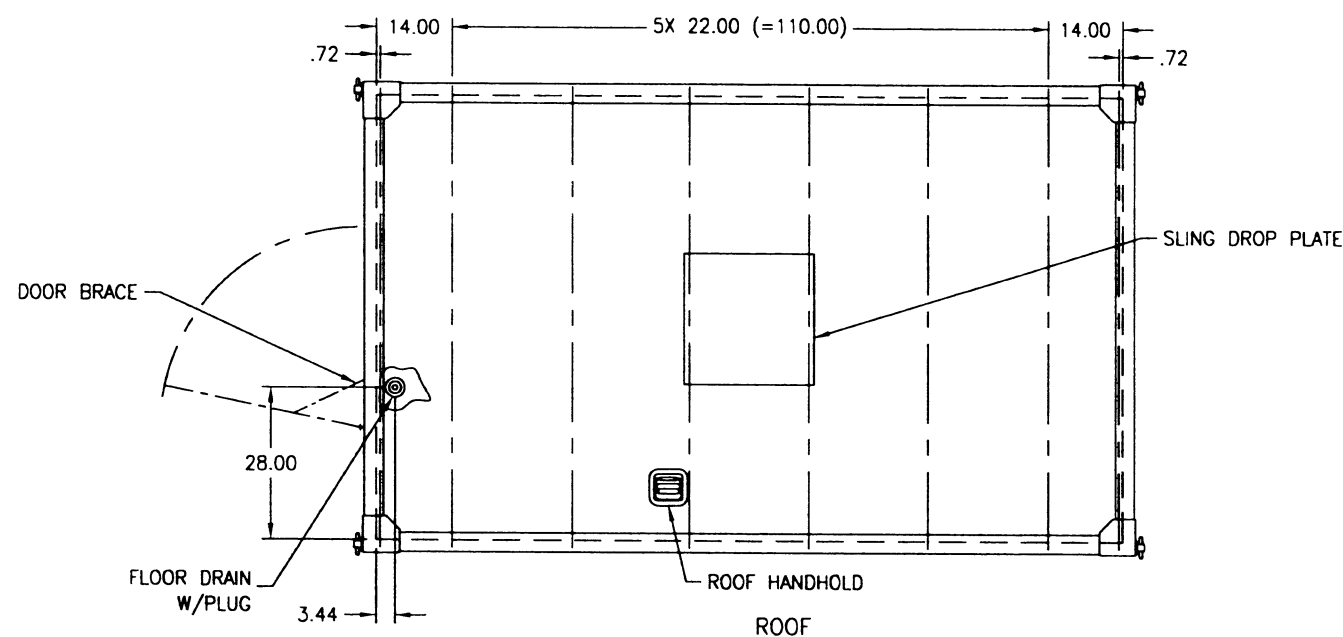


7004625		1	
REVISIONS			
ZONE	REV	DESCRIPTION	DATE
M	ECN 030217	REDRAWN W/CHG	03-04-09
		SCS	RLS

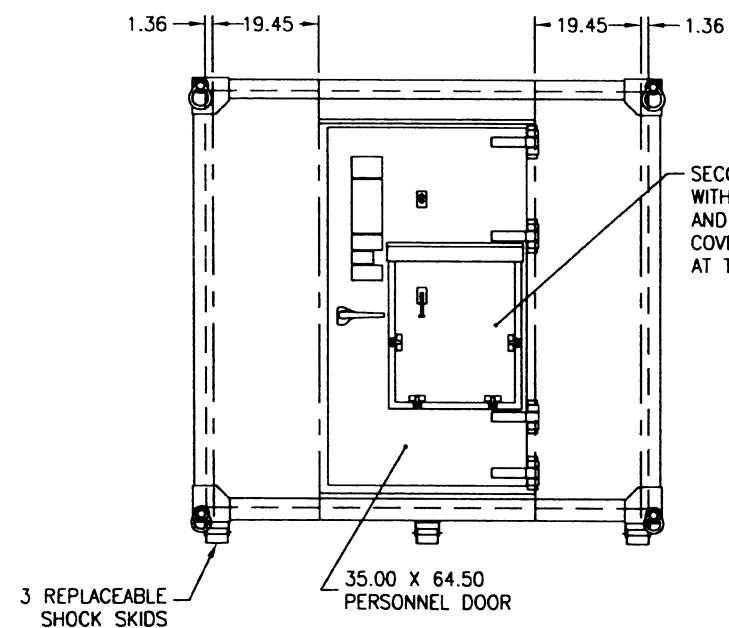
CAD MAINTAINED. CHANGES SHALL BE INCORPORATED BY THE DESIGN ACTIVITY.

STRUCTURAL MEMBER SPACING
FLOOR, ROOF AND SIDEWALLS

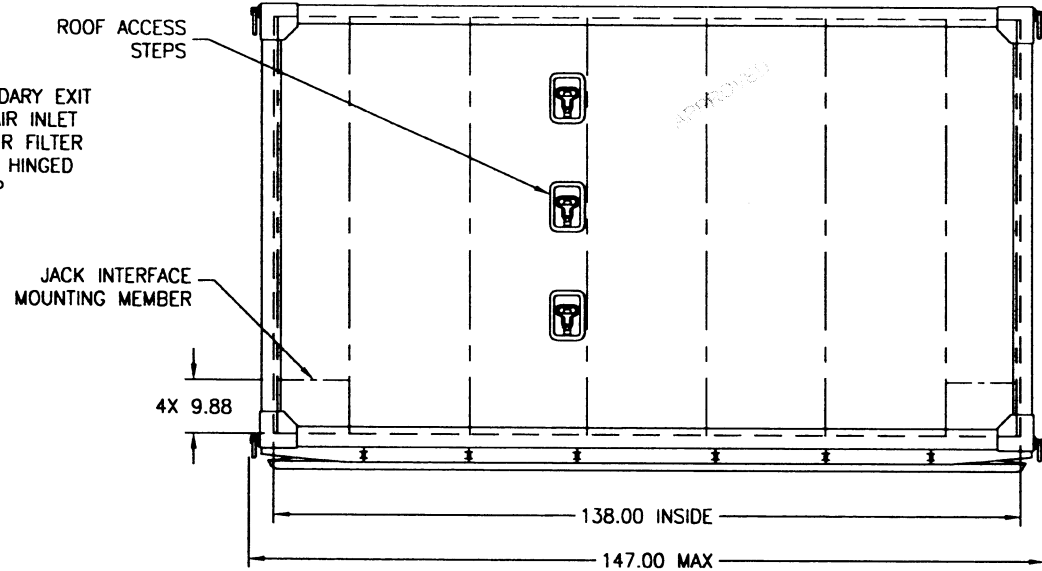


JACK INTERFACE MEMBER DETAIL

STRUCTURAL MEMBER SPACING

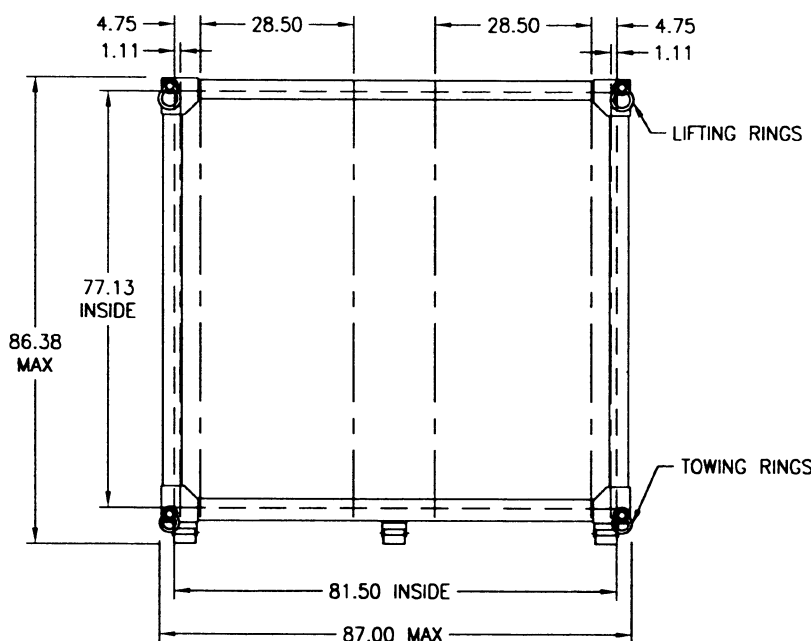


ENDWALL

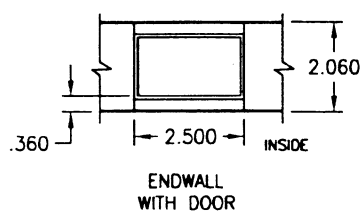


SIDEWALL

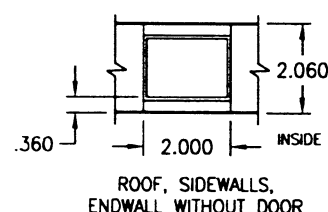
STRUCTURAL MEMBER SPACING



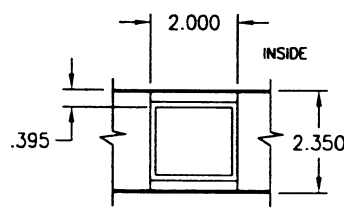
ENDWALL



ENDWALL WITH DOOR



ROOF, SIDEWALLS, ENDWALL WITHOUT DOOR



FLOOR

STRUCTURAL MEMBER DETAILS

REV STATUS OF SHEETS	REVISION	M	1	2	3	4	5	6	7	8	9	10	11	12	13	14	15	16	17	18	19	20	21	22	23	24	25	26	27
UNLESS OTHERWISE SPECIFIED		CONTRACT NO		Gichner Shelter Systems East Locust Street Dallastown, PA 17313																									
DIMENSIONS ARE IN INCHES.		APPROVALS		DATE		SHELTER, ELECTRICAL EQUIPMENT S-280 C/G																							
2 PL DECIMALS ± .03		PREPARED SCS		03-04-04		SIZE D CASE CODE D 29381 DRAWING NO 7004625																							
3 PL DECIMALS ± .015		CHECKED RLS		03-03-31		SCALE 1/16 SHEET 1 OF 1																							
ANGLES ± 1'		ENGINEER RLS		03-03-31																									
THIRD ANGLE PROJECTION		NEXT ASSY		USED ON																									
DO NOT SCALE DRAWING COPY		APPLICATION																											