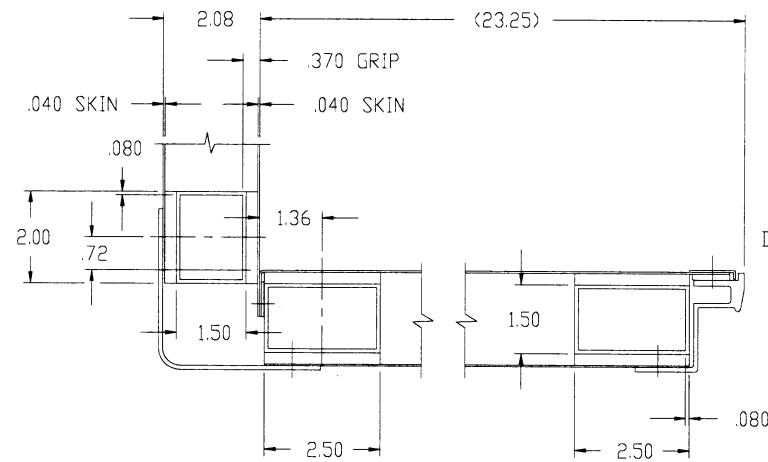


ZONE		REV	DESCRIPTION	DATE	APPROVED
A		ECN 99A14	BEC	99-01-12	HZ
B		ECN 030295	DJN	03-04-25	MDW

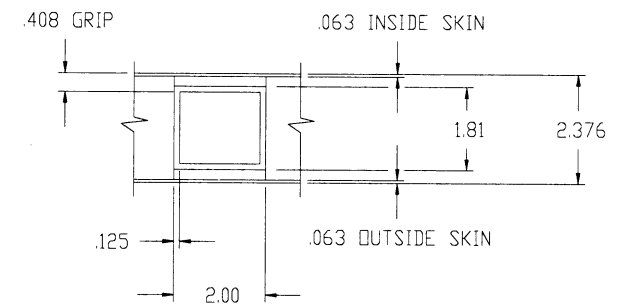
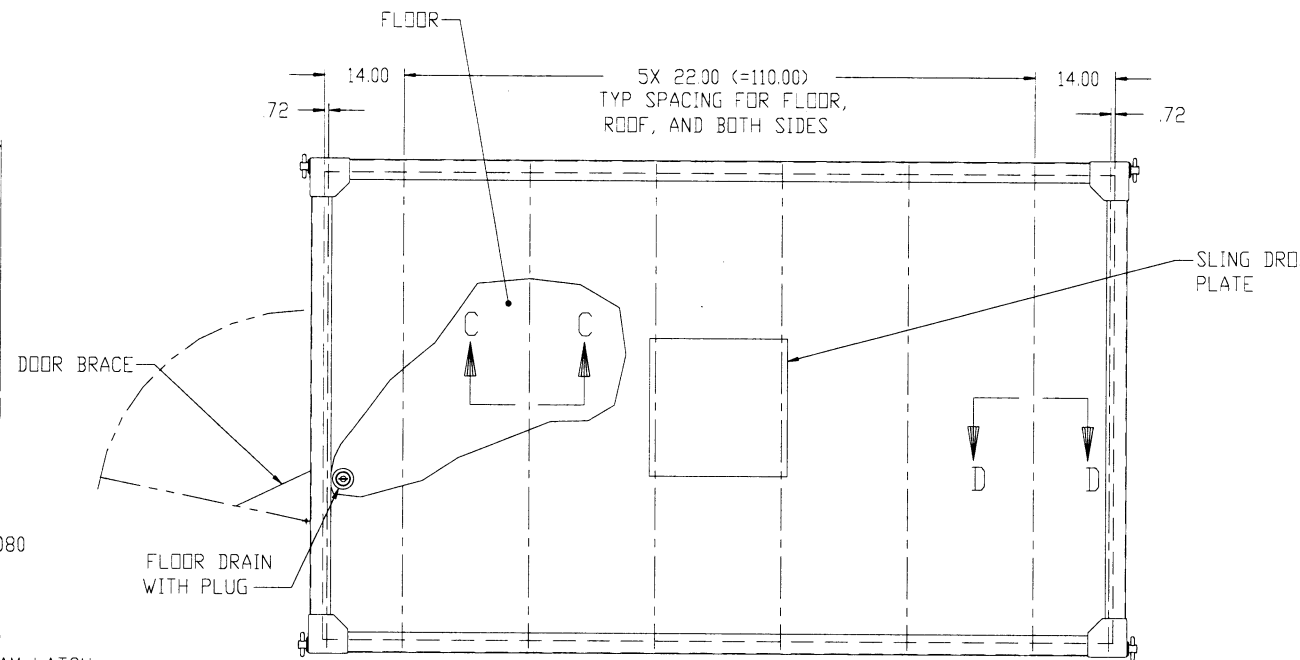
NOTES: UNLESS OTHERWISE SPECIFIED.

- OVERALL HEIGHT FOR SHELTER WITH RIGID SKIDS IS 87.25 MAX.  
OVERALL HEIGHT FOR SHELTER WITH SHOCK SKIDS IS 86.38 MAX.

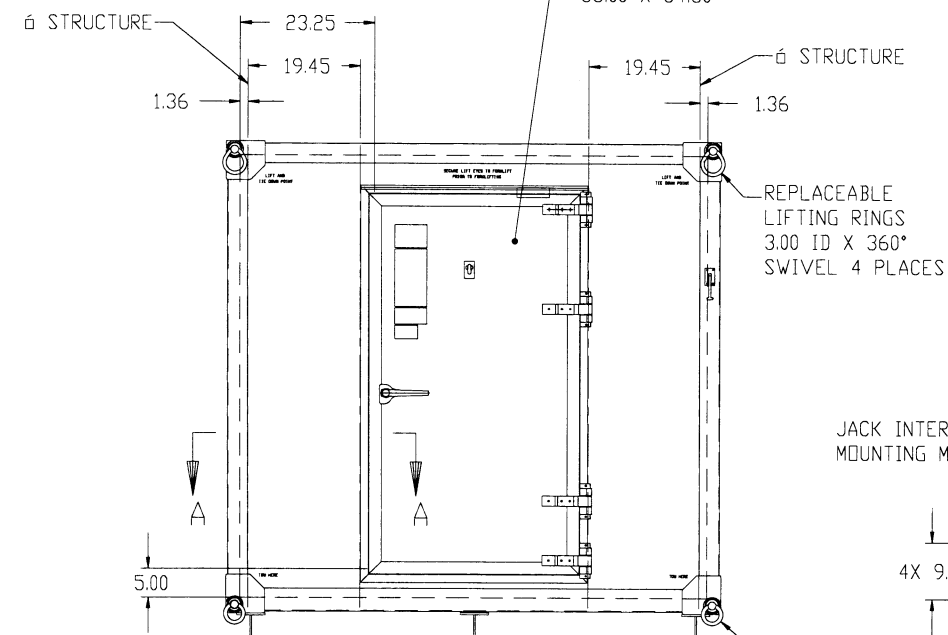
CAD MAINTAINED. CHANGES SHALL BE INCORPORATED BY THE DESIGN ACTIVITY.



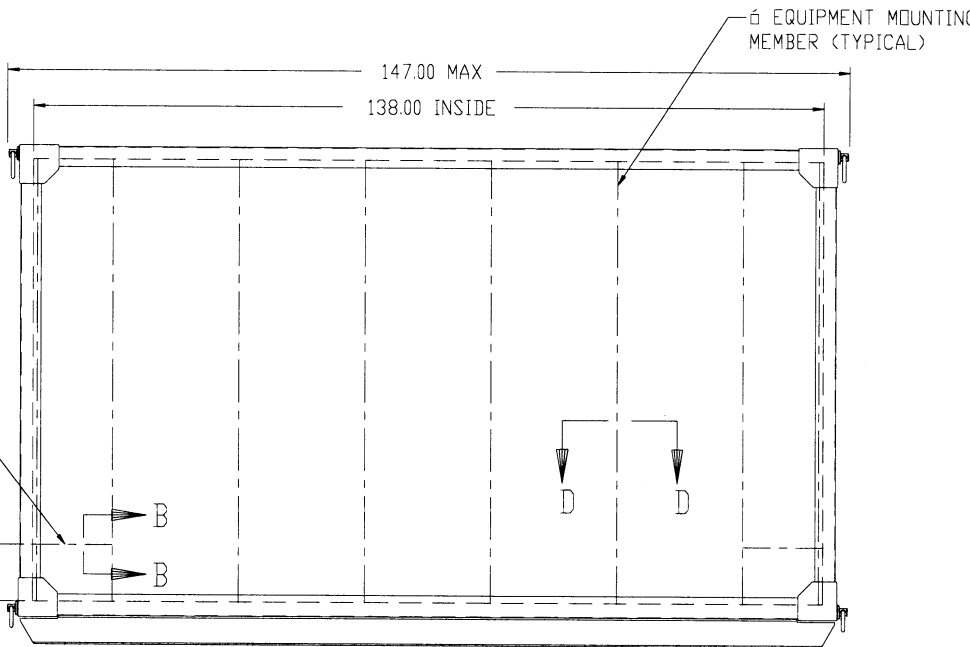
SECTION A-A  
SCALE 1/2



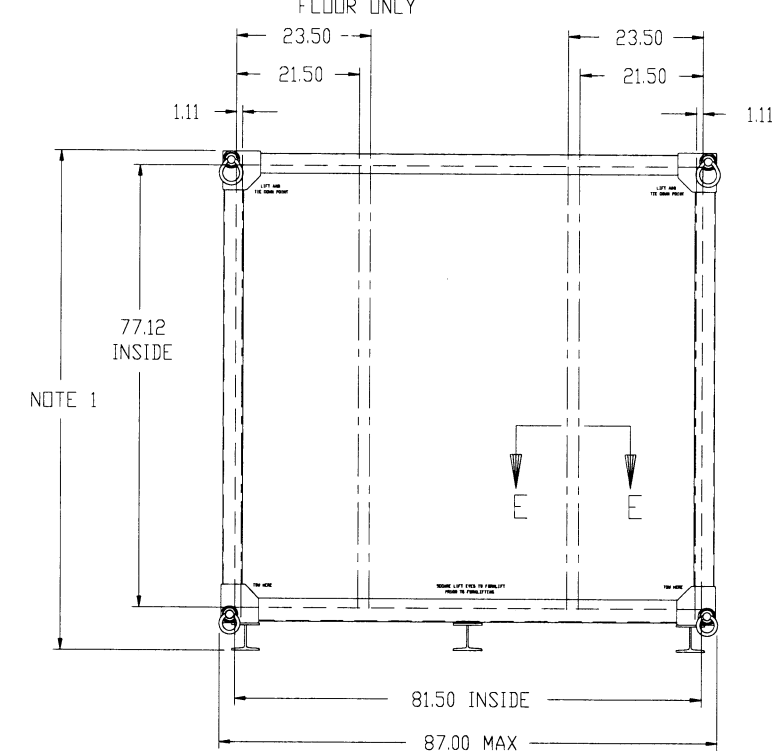
SECTION C-C  
SCALE 1/2  
FLOOR ONLY



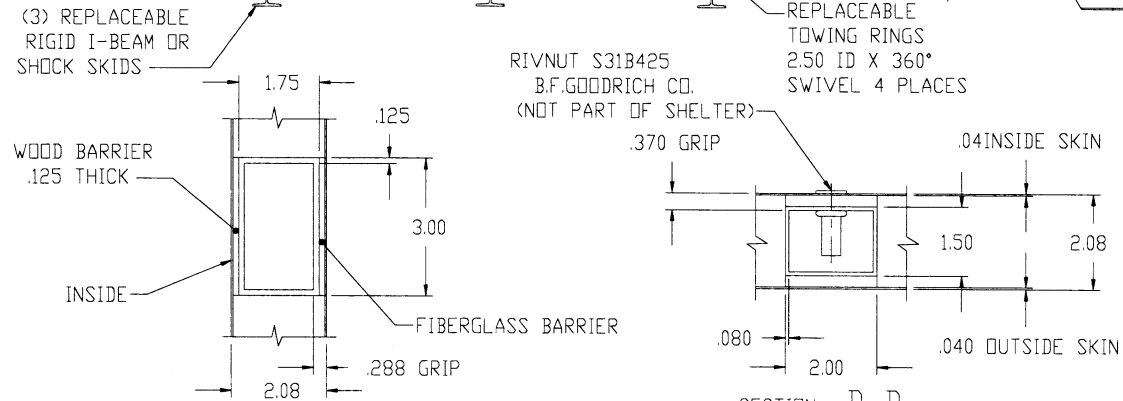
SECTION B-B  
SCALE 1/2



SECTION D-D  
SCALE 1/2  
TYPICAL INSERT INSTALLATION



NOTE 1



SECTION B-B  
SCALE 1/2

SECTION E-E  
SCALE 1/2

REV STATUS OF SHEETS	REVISION	SHEET																										
	B	1	2	3	4	5	6	7	8	9	10	11	12	13	14	15	16	17	18	19	20	21	22	23	24	25	26	27
UNLESS OTHERWISE SPECIFIED		CONTRACT NO										Gichner Shelter Systems East Locust Street Dallastown, PA 17313																
DIMENSIONS ARE IN INCHES.		APPROVALS										DATE																
TOLERANCES ON:		PREPARED WD										98-12-15																
2 PL DECIMALS ±		CHECKED WD										98-12-15																
3 PL DECIMALS ±		ENGINEER HZ										98-12-15																
ANGLES ±		THIRD ANGLE PROJECTION										SIZE CAGE CODE DRAWING NO																
		7032216 26152										D 29381 7032207																
NEXT ASSY USED ON		APPLICATION										SCALE 1/16 SHEET 1 OF 1																
		DO NOT SCALE DRAWING COPY										7031545																