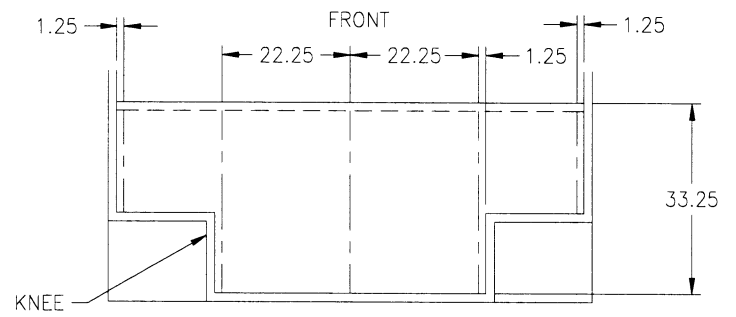
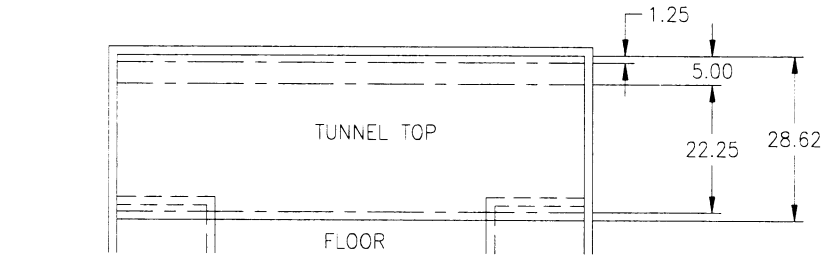
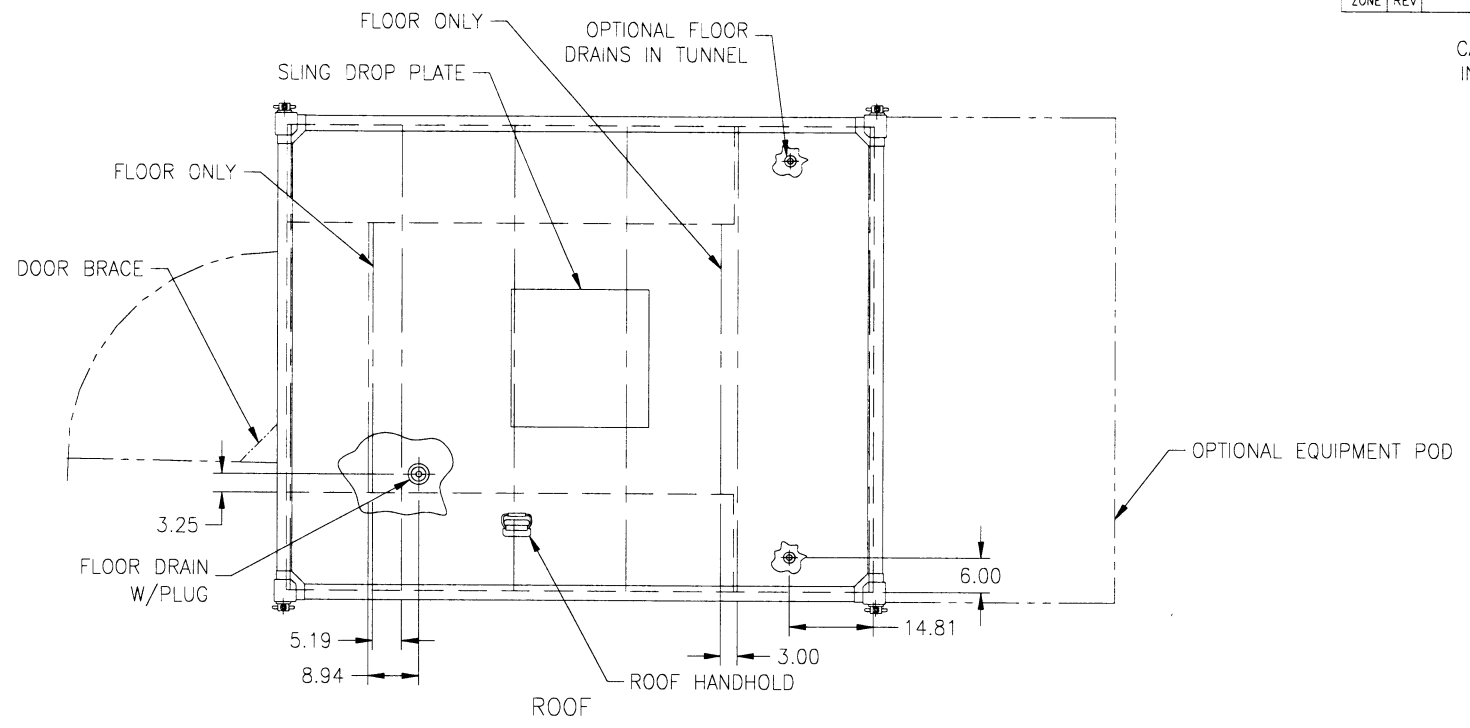


DWG NO	7039005	SH	1	1
REVISIONS				
ZONE	REV	DESCRIPTION	DATE	APPROVED

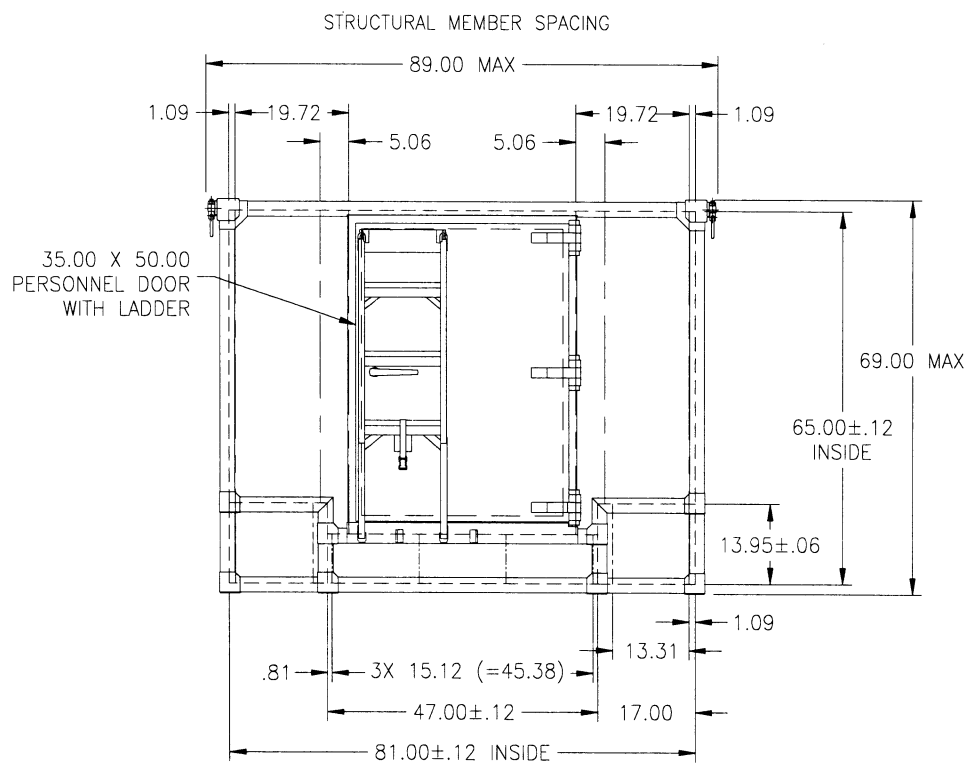
CAD MAINTAINED. CHANGES SHALL BE INCORPORATED BY THE DESIGN ACTIVITY.



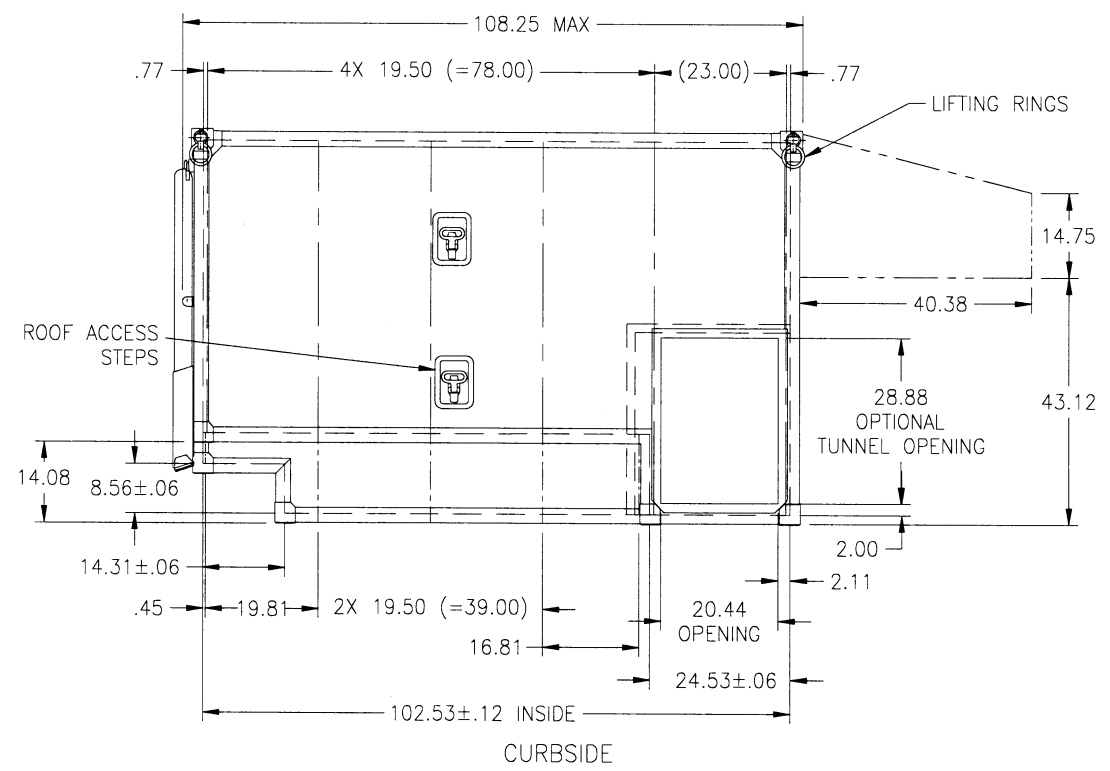
OPTIONAL TUNNEL DETAILS



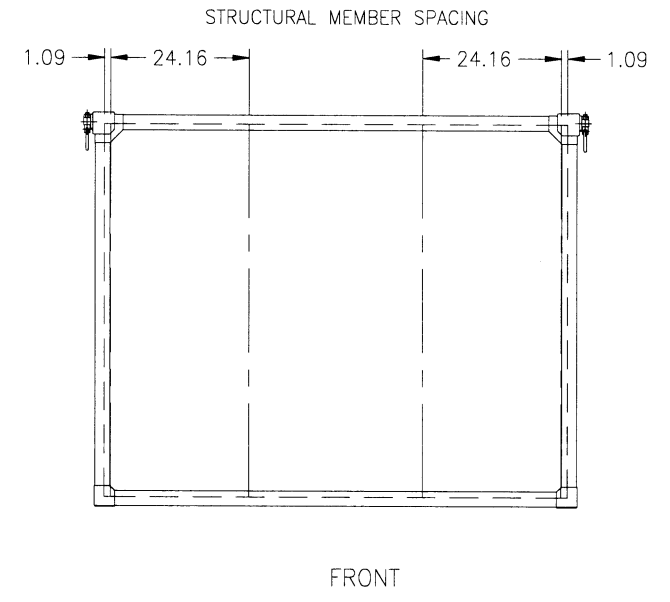
STRUCTURAL MEMBER SPACING FLOOR, ROOF, AND SIDEWALLS



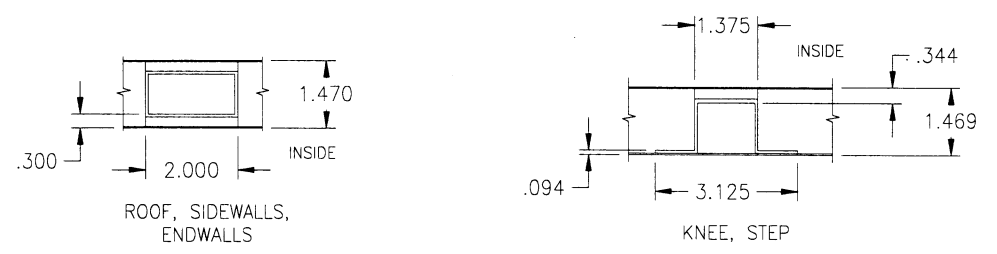
REAR



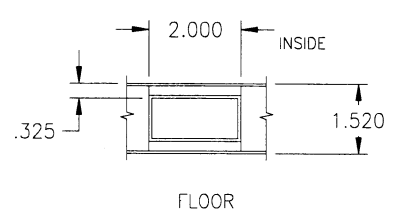
CURBSIDE



FRONT



STRUCTURAL MEMBER DETAILS



REV STATUS OF SHEETS	REVISION																										
SHEET	1	2	3	4	5	6	7	8	9	10	11	12	13	14	15	16	17	18	19	20	21	22	23	24	25	26	27
UNLESS OTHERWISE SPECIFIED		CONTRACT NO										East Locust Street Dallastown, PA 17313															
DIMENSIONS ARE IN INCHES.		APPROVALS										DATE															
TOLERANCES ON:		PREPARED SCS										03-04-03															
2 PL DECIMALS ± .03		CHECKED RLS										03-04-11															
3 PL DECIMALS ± .015		ENGINEER RLS										03-04-11															
ANGLES ± 1'		THIRD ANGLE PROJECTION										SIZE: D 29381 CAGE CODE: 29381 DRAWING NO: 7039005															
NEXT ASSY		USED ON										SCALE 1/16															
APPLICATION		DO NOT SCALE DRAWING COPY										SHEET 1 OF 1															