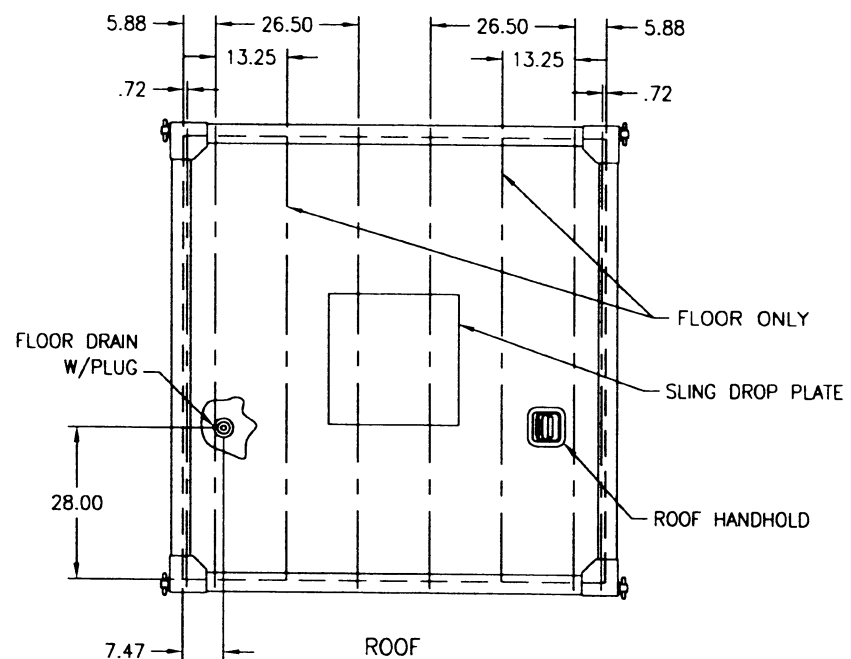


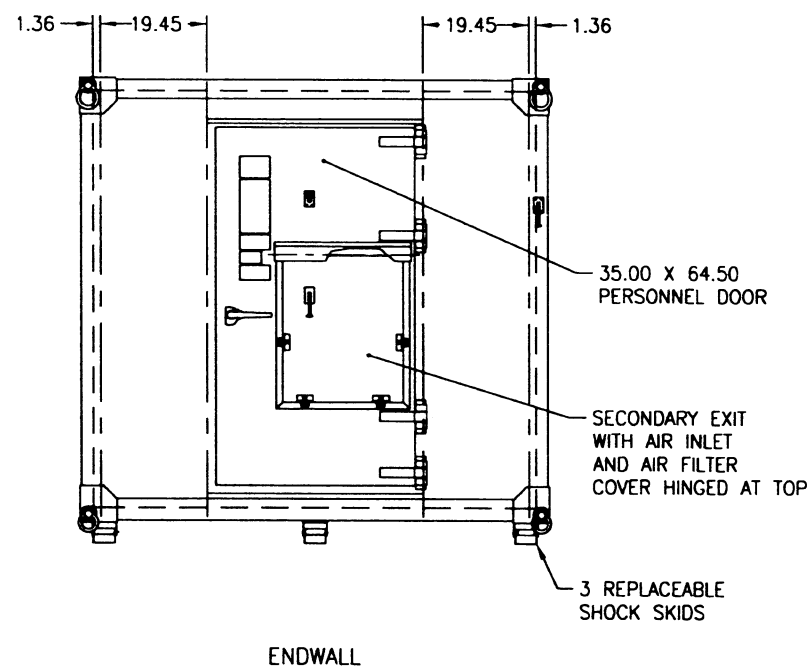
7019081		1	REVISIONS	
ZONE	REV	DESCRIPTION	DATE	APPROVED
C		ECN 030217 REDRAWN W/CHG	03-04-07	RLS

CAD MAINTAINED. CHANGES SHALL BE INCORPORATED BY THE DESIGN ACTIVITY.

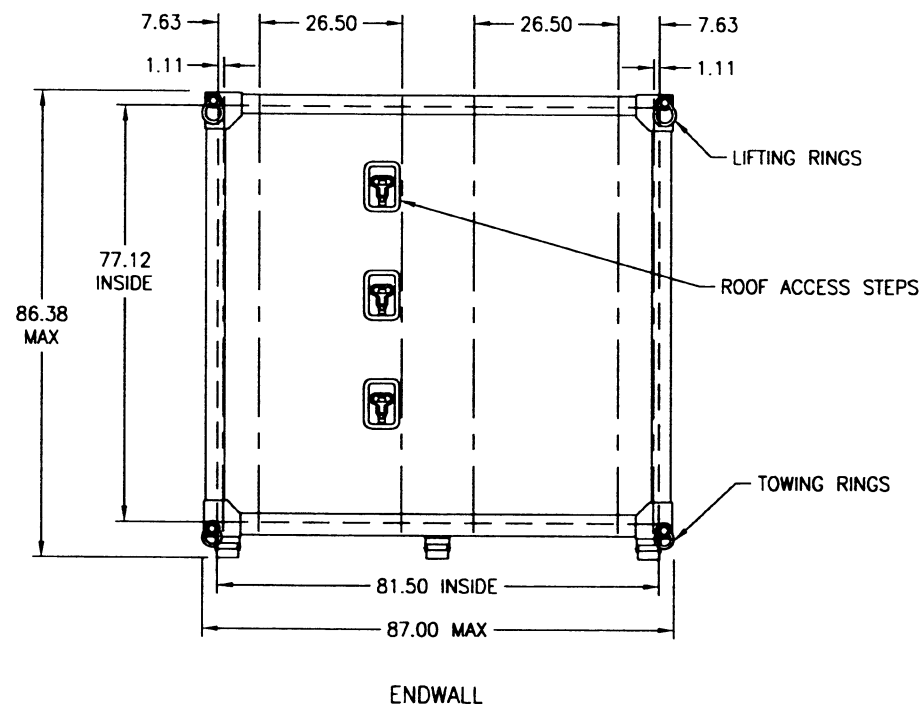
STRUCTURAL MEMBER SPACING  
FLOOR, ROOF, AND SIDEWALLS



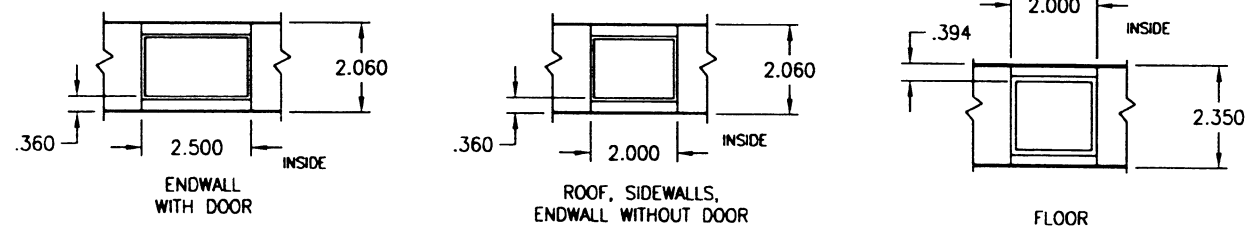
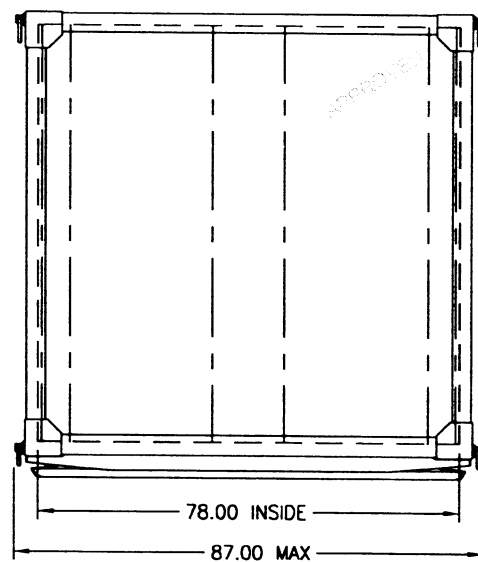
STRUCTURAL MEMBER SPACING



STRUCTURAL MEMBER SPACING



SIDEWALL



STRUCTURAL MEMBER DETAILS

REV STATUS OF SHEETS	REVISION	C	1	2	3	4	5	6	7	8	9	10	11	12	13	14	15	16	17	18	19	20	21	22	23	24	25	26	27
		UNLESS OTHERWISE SPECIFIED		CONTRACT NO		Gichner		East Locust Street		Delkostown, PA 17313																			
		DIMENSIONS ARE IN INCHES.		APPROVALS		DATE		SHELTER		ELECTRICAL EQUIPMENT																			
		TOLERANCES ARE:		PREPARED SCS		88-11-02		S-749/G																					
		2 PL DECIMALS ± .03		CHECKED RLS		03-04-11		SIZE		D 29381		DRAWING NO		7019081															
		3 PL DECIMALS ± .015		ENGINEER RLS		03-04-11		SCALE		1/16		SHEET		1 OF 1															
		ANGLES ± 1°		THIRD ANGLE PROJECTION																									
				DO NOT SCALE DRAWING COPY																									