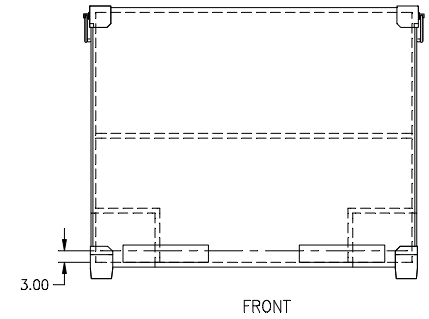
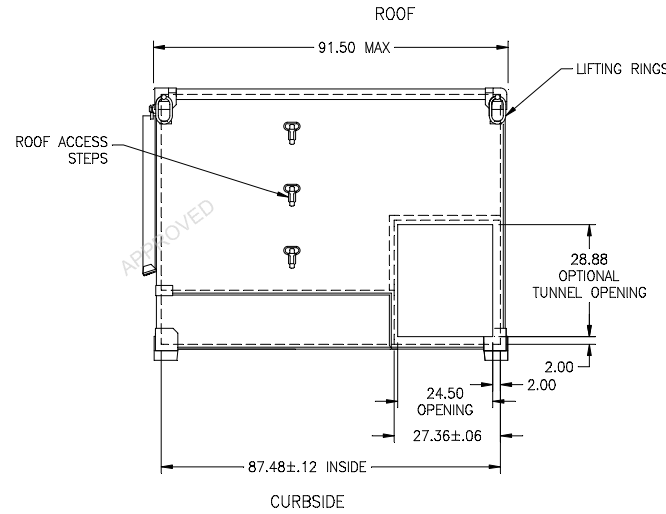
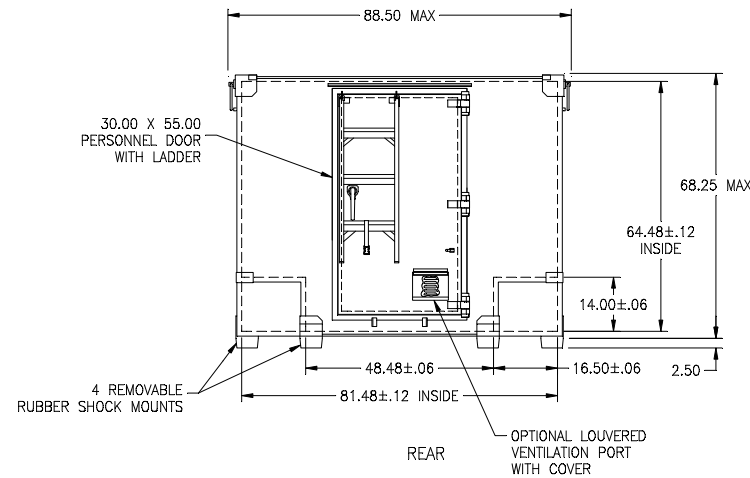
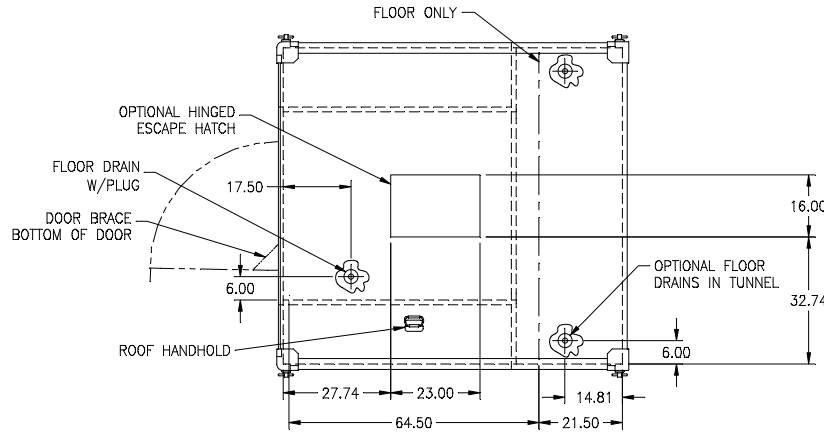
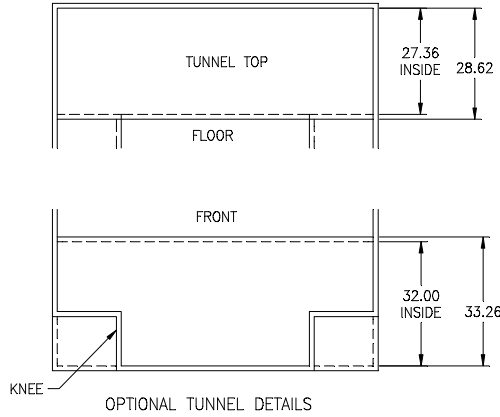


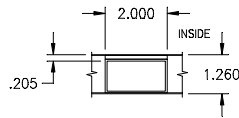
DWG NO	7043198	REV	1
REVISIONS		DESCRIPTION	DATE
ZONE	REV	DESCRIPTION	DATE
A	ECN 070026	RSR	07-02-13
APPROVED			WD

CAD MAINTAINED. CHANGES SHALL BE INCORPORATED BY THE DESIGN ACTIVITY.



SHELTER VERSIONS CHART
DESIGNATION
TYPE I - SHELTER, ELECTRICAL EQUIPMENT, LIGHTWEIGHT, (W/O TUNNEL)
TYPE II - SHELTER, ELECTRICAL EQUIPMENT, LIGHTWEIGHT, MODIFIED, SICPS (W/TUNNEL, DRAIN HOLES IN TUNNEL, SECONDARY EXIT, AND CHEMICAL VENTILATION PORT)
TYPE III - SHELTER, ELECTRICAL EQUIPMENT, LIGHTWEIGHT, MODIFIED, GENERAL PURPOSE (W/TUNNEL)

CLOSED CELL POLYURETHANE FOAM MAY BE PRESSED INTO HONEYCOMB CELLS PRIOR TO BONDING FOR ADDITIONAL THERMAL INSULATION.



MEMBER DETAIL

REV STATUS OF SHEETS	REVISION	A	1	2	3	4	5	6	7	8	9	10	11	12	13	14	15	16	17	18	19	20	21	22	23	24	25	26	27
	SHEET	1	2	3	4	5	6	7	8	9	10	11	12	13	14	15	16	17	18	19	20	21	22	23	24	25	26	27	
UNLESS OTHERWISE SPECIFIED										CONTRACT NO																			
DIMENSIONS ARE IN INCHES.										Gichner Shelter Systems East Locust Street Dallastown, PA 17313																			
TOLERANCES ON:										APPROVALS DATE																			
2 PL DECIMALS ± .03										PREPARED RLS 06-05-12																			
3 PL DECIMALS ± .015										CHECKED RLS 06-05-15																			
ANGLES ± 1'										ENGINEER RLS 06-05-15																			
THIRD ANGLE PROJECTION										SIZE D 29381 DRAWING NO 7043198																			
NEXT ASSY USED ON APPLICATION DO NOT SCALE DRAWING COPY										SCALE 1/16 SHEET 1 OF 1 7039006																			