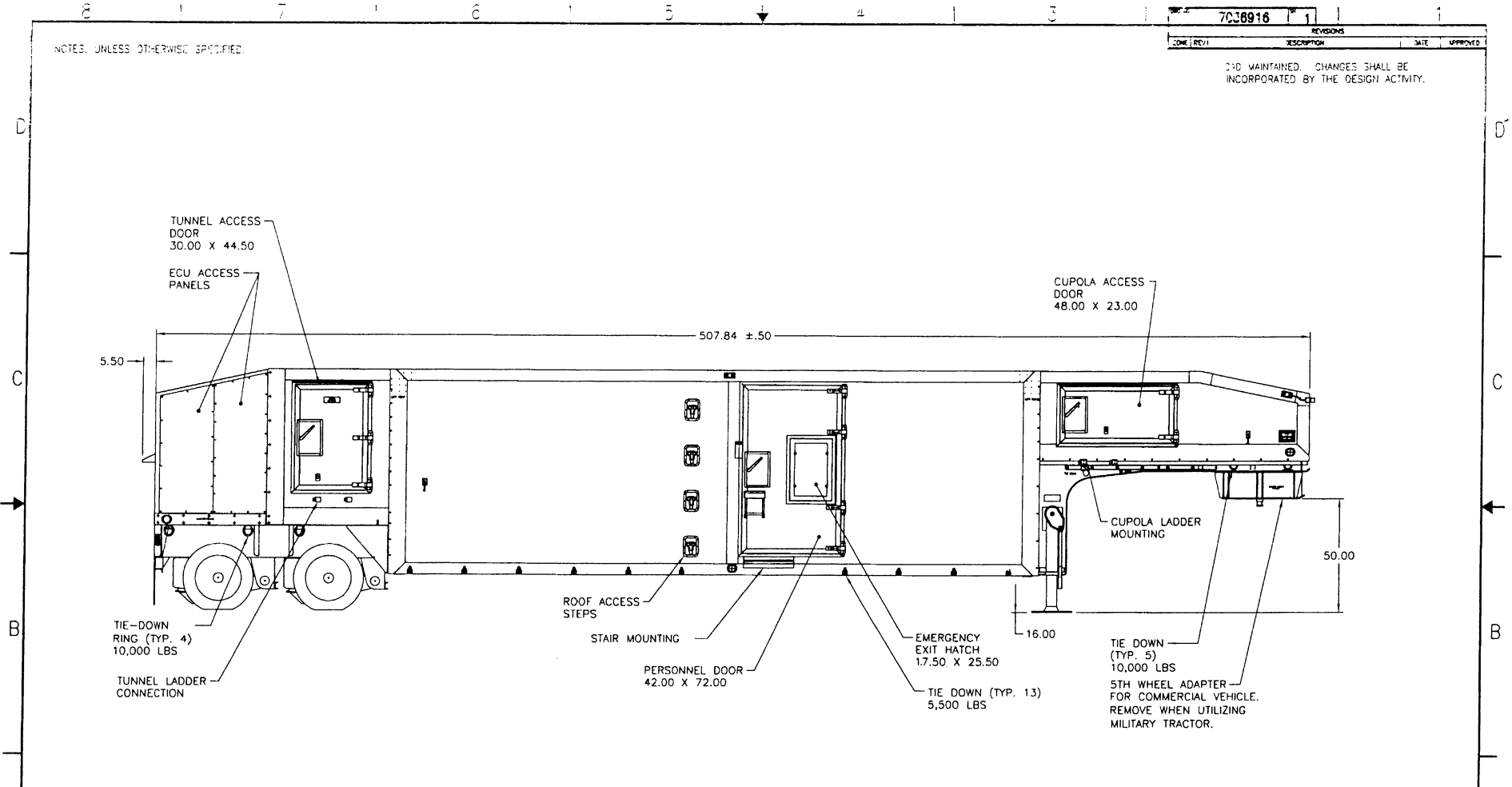


7036916

REV	DATE	DESCRIPTION	APPROVED

NOT MAINTAINED. CHANGES SHALL BE INCORPORATED BY THE DESIGN ACTIVITY.

NOTES: UNLESS OTHERWISE SPECIFIED:



CURBSIDE EXTERIOR

REV STATUS OF SHEETS	REVISION	1	2	3	4	5	6	7	8	9	10	11	12	13	14	15	16	17	18	19	20	21	22	23	24	25	26	27
UNLESS OTHERWISE SPECIFIED																												
DRAWINGS ARE IN INCHES																												
TOLERANCES UNLESS OTHERWISE SPECIFIED																												
2 PL. DECIMALS & ANGLES																												
3 PL. DECIMALS & ANGLES																												
THIRD ANGLE PROJECTION																												
NEXT ASSY																												
USED ON																												
APPLICATION																												
DO NOT SCALE DRAWING COPY																												
CONTRACT NO.																												
APPROVALS																												
PREPARED: GLR																												
DATE: 01-10-01																												
CHECKED:																												
ENGINEER:																												
SCALE: 1/20																												
SHEET CODE: D																												
DRAWING NO: 29381																												
DRAWING NO: 7036916																												
SHEET 1 OF 3																												

Gichner East Locust Street
Shelter Systems Dallastown, PA 17313

TRAILER, OUTLINE

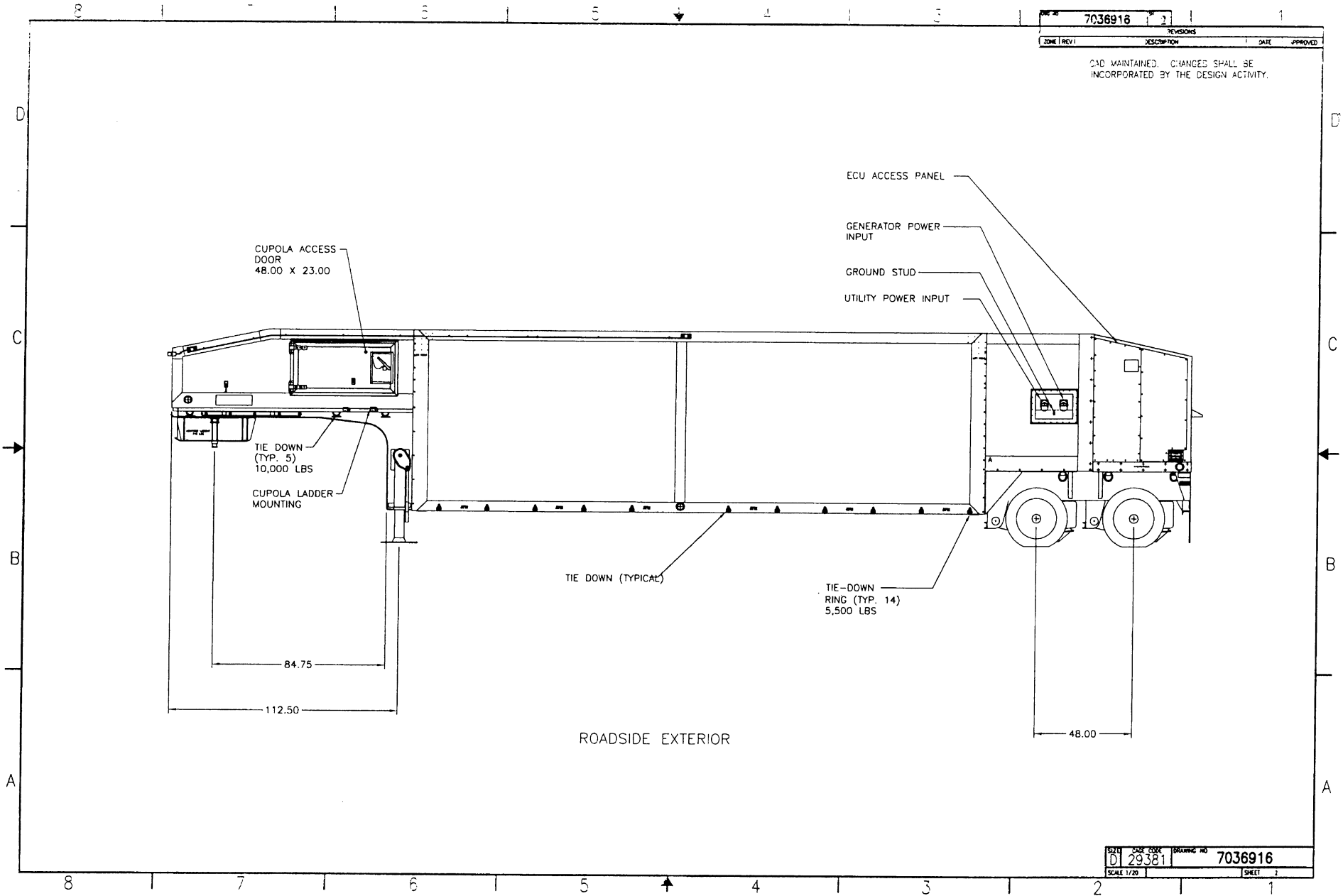
D 29381 7036916

SCALE 1/20 SHEET 1 OF 3

7036916

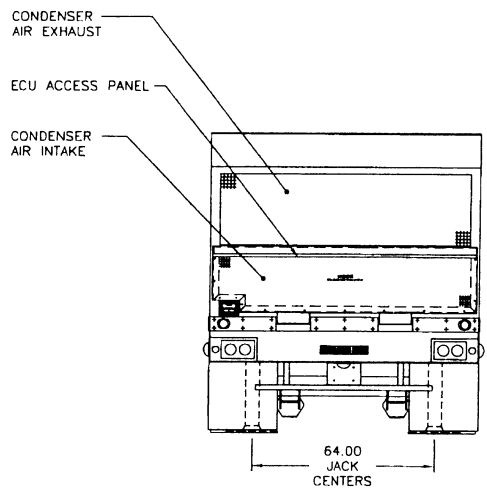
ZONE	REV	DESCRIPTION	DATE	APPROVED

CAD MAINTAINED. CHANGES SHALL BE INCORPORATED BY THE DESIGN ACTIVITY.

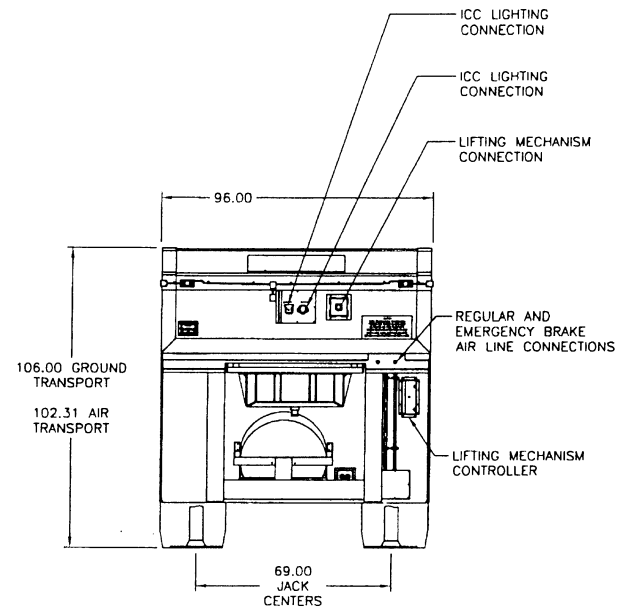


SCALE 1/20
D1 29381
7036916
SHEET 2

7036916		REV 3	
ZONE	REV	DESCRIPTION	DATE
			APPROVED



REAR EXTERIOR



FRONT EXTERIOR

SIZE	DATE	SCALE	DRAWING NO	7036916
D1	29381	1/20		
				SHEET 3