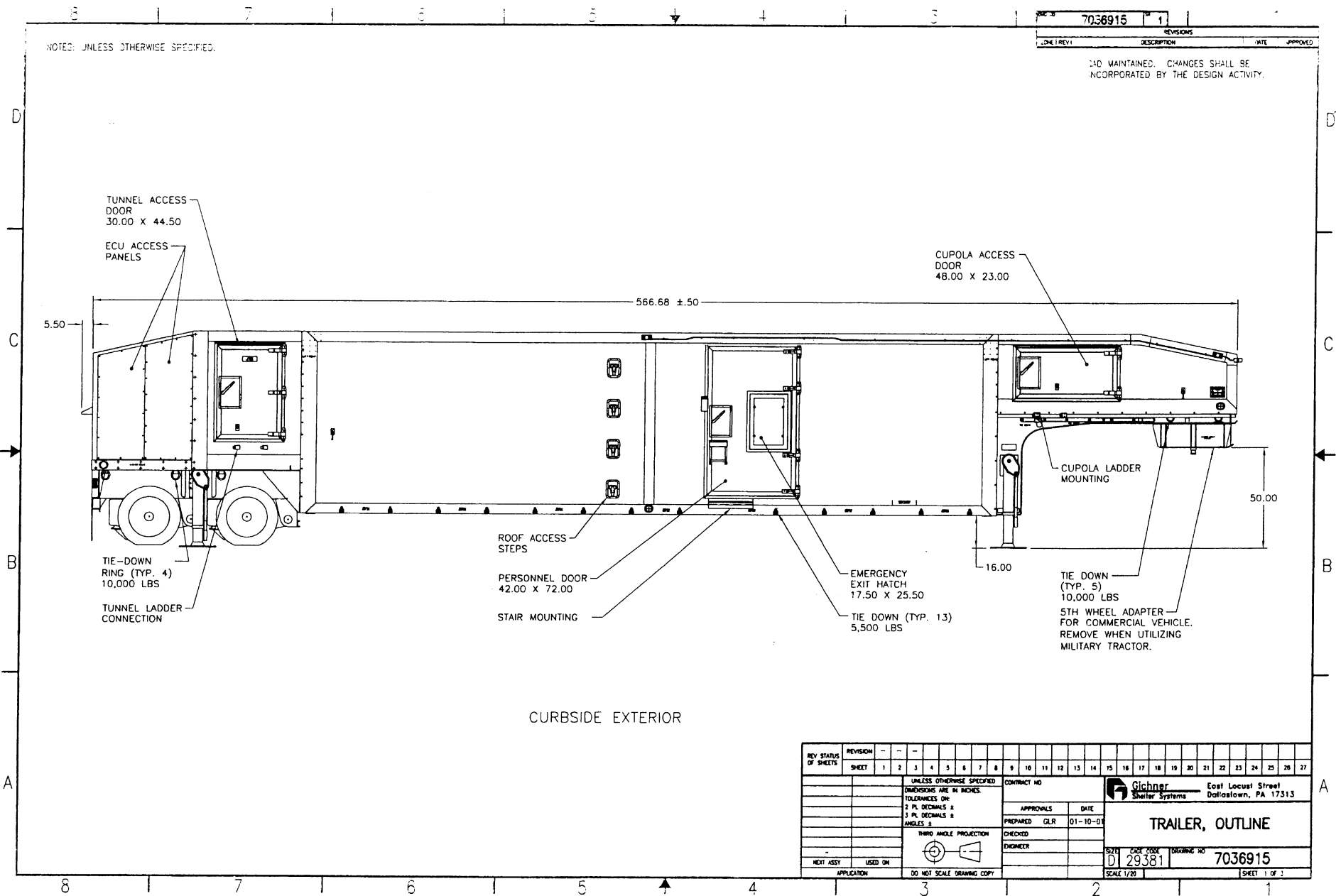


7036915

REV	REV	DESCRIPTION	DATE	APPROVED

NOT MAINTAINED. CHANGES SHALL BE INCORPORATED BY THE DESIGN ACTIVITY.

NOTES: UNLESS OTHERWISE SPECIFIED.

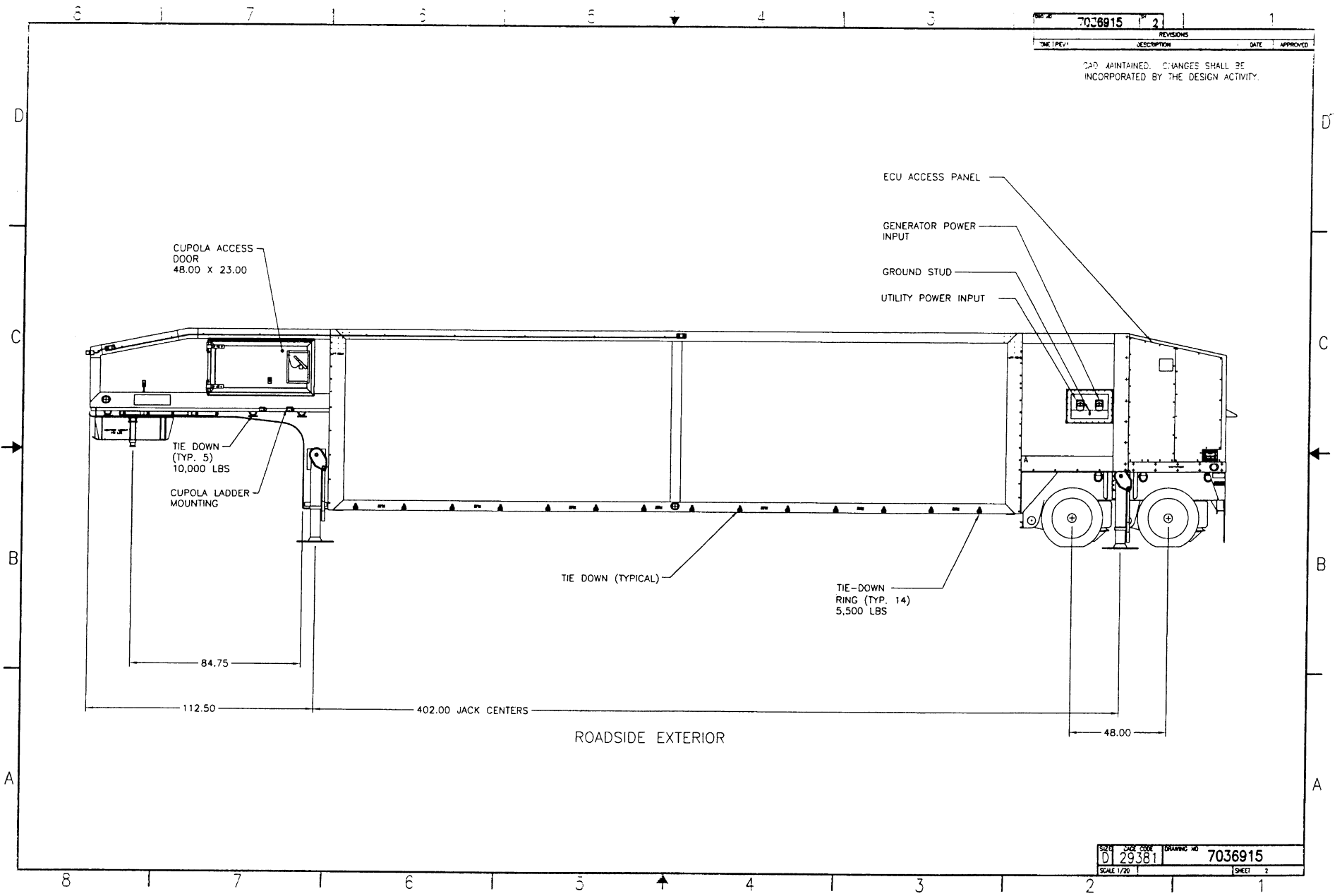


CURBSIDE EXTERIOR

REV STATUS OF SHEETS	REVISION	1	2	3	4	5	6	7	8	9	10	11	12	13	14	15	16	17	18	19	20	21	22	23	24	25	26	27
UNLESS OTHERWISE SPECIFIED		CONTRACT NO																										
DIMENSIONS ARE IN INCHES.		Gichner East Locust Street Shelter Systems Dallas, PA 17313																										
TOLERANCES ON:		APPROVALS DATE																										
2 PL DECIMALS ±		PREPARED GLR 01-10-01																										
3 PL DECIMALS ±		CHECKED																										
ANGLES ±		ENGINEER																										
THIRD ANGLE PROJECTION		SIZE CASE CODE DRAWING NO																										
NEXT ASSY USED ON		D 29381 7036915																										
APPLICATION		SCALE 1/20 SHEET 1 OF 1																										

DRAWING NO. 7036915		REV. 2	
DATE	DESCRIPTION	DATE	APPROVED

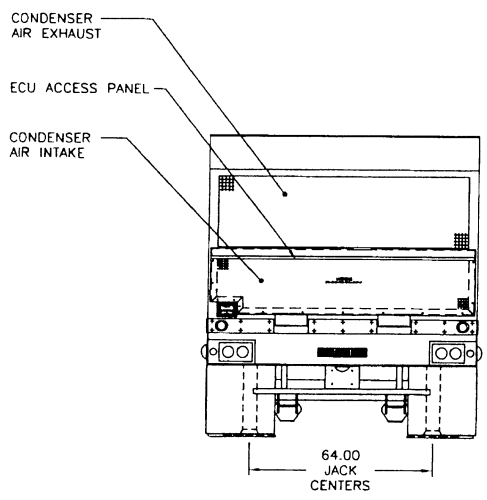
UNLESS OTHERWISE INDICATED, CHANGES SHALL BE INCORPORATED BY THE DESIGN ACTIVITY.



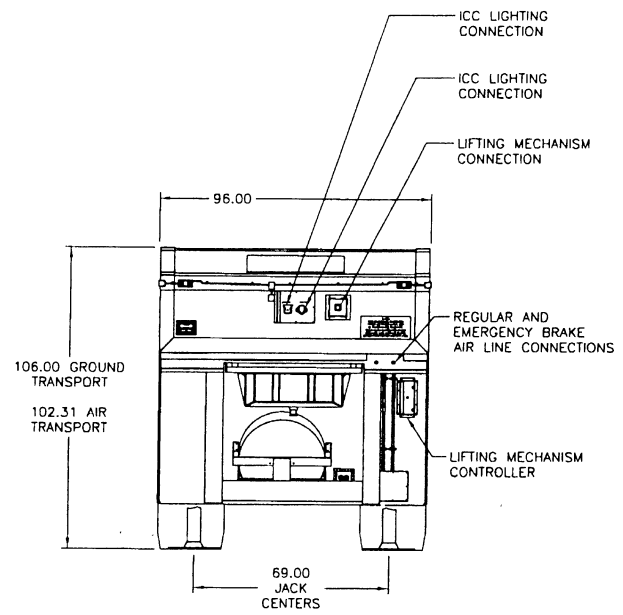
ROADSIDE EXTERIOR

SCALE	JOB NO.	DRAWING NO.
D 29381		7036915
SCALE 1/20		SHEET 2

7036915		REVISONS	DATE	APPROVED
NO.	REV.	DESCRIPTION		



REAR EXTERIOR



FRONT EXTERIOR

SCALE	CASE CODE	DRAWING NO	7036915
D	29381		
SCALE 1/20			SHEET 3